

THIS SET OF USER INSTRUCTIONS IS FOR THE BRITLIFT TRADITIONAL SERIES MODULAR SPREADER T34. THE T34 IS RATED TO A MAXIMUM VERTICAL LOAD OF 34 TONNES AND A MAXIMUM SPAN (OR LENGTH) OF 10 METERS. THIS SYSTEM IS MODULAR IN CONSTRUCTION AND MAY BE REASSEMBLED BY TRAINED RIGGERS USING DIFFERENT STRUT COMBINATIONS TO ACHIEVE ANY SPAN FROM 1M TO 10M.

THE SLING ANGLE USED SELECTED DURING THE RIGGING OF THIS ITEM IS CRUCIAL TO THE SAFE USE OF THE BEAM. THIS ANGLE WILL AFFECT THE WEIGHT OF THE LOAD THAT CAN BE SAFELY LIFTED. IF YOU ARE UNSURE OF WHAT YOUR SLING ANGLE IS, HOW OR WHY THIS WILL AFFECT THE USE OF THE BEAM THEN ANOTHER COMPETANT AND TRAINED RIGGER MUST BE CONSULTED.

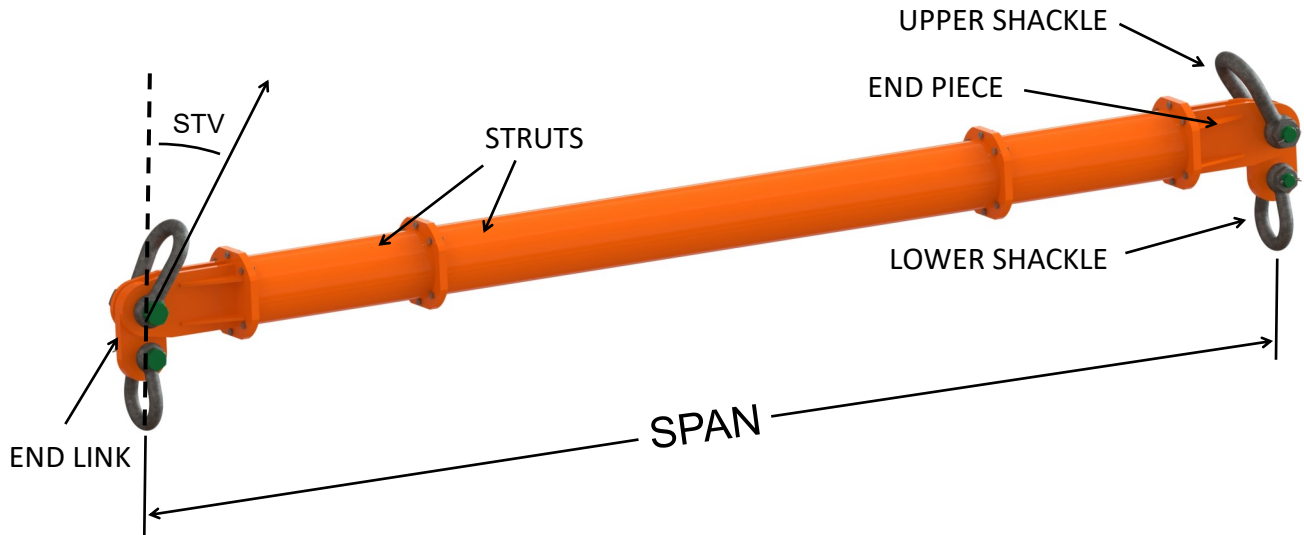


CHART 1: CAPACITY | SPAN | ANGLE

SPAN	45° STV		30° STV		20° STV	
	SWL IN TONNES	MINIMUM TOP SLING LENGTH REQUIRED (METERS)	SWL IN TONNES	MINIMUM TOP SLING LENGTH REQUIRED (METERS)	SWL IN TONNES	MINIMUM TOP SLING LENGTH REQUIRED (METERS)
1	34	0.5	34	0.8	34	1.3
1.5	34	0.9	34	1.3	34	2
2	34	1.2	34	1.8	34	2.7
2.5	34	1.6	34	2.3	34	3.5
3	34	1.9	34	2.8	34	4.2
3.5	34	2.3	34	3.3	34	4.9
4	34	2.6	34	3.8	34	5.7
4.5	34	3	34	4.3	34	6.4
5	29	3.3	34	4.8	34	7.1
5.5	25	3.7	34	5.3	34	7.8
6	21	4	34	5.8	34	8.6
6.5	18	4.4	32	6.3	34	9.3
7	16	4.7	28	6.8	34	10
7.5	14	5.1	24	7.3	34	10.8
8	12	5.5	21	7.8	34	11.5
8.5	10	5.8	18	8.3	30	12.2
9	9	6.2	16	8.8	26	13
9.5	8	6.5	14	9.3	22	13.7
10	7	6.9	13	9.8	20	14.4

! CRITICAL INFORMATION! !

- THIS IS A SPREADER BEAM AND MUST ONLY BE LOADED AT THE TWO END POINTS THROUGH THE END LINKS. NEVER HANG LOADS FROM THE STRUTS.
- STV (SLING TO VERTICAL) ANGLE MUST BE NO MORE THAN 45°.
- CHART 1 **MUST BE REFERRED TO** IN ORDER TO ENSURE THAT THIS BEAM IS SUIABLE FOR THE PLANNED LIFT.
- END LINKS MUST HANG DOWNWARDS, TOWARDS THE LOAD.
- THE WLL (WORKING LOAD LIMIT) OF A SINGLE LINK PLATE IS 17 TONNES (34 TONNES COMBINED). DO NOT EXCEED THIS WEIGHT AT ONE END OF THE BEAM.
- THE T34 USES M20 x 50 GRADE 8.8 HT BOLTS, NUTS AND WASHERS. THE RECOMMENDED TIGHTENING TORQUE IS 160Nm.
- ANY PERSONNEL USING THIS PRODUCT MUST BE A TRAINED AND COMPETANT RIGGER OR SLINGER/ SIGNALLER.
- THE ONGOING USE OF THIS PRODUCT MUST BE IN ACCORDANCE WITH THE REQUIRMENTS IN LOLER (LIFTING OPERATIONS AND LIFTING EQUIPMENT REGULATIONS 1998).
- PLEASE ENSURE THAT NO MORE THAN 7 COMPONENTS ARE USED IN THE ASSEMBLY OF A BEAM (INCLUDING END PIECES).
- CHECK THAT NO RIGGING EQUIPMENT CLASHES WITH THE BEAM. THE BEAM MUST ONLY BE LOADED THROUGH THE SHACKLE PIN HOLES AT EACH END.

THE CHART TO THE RIGHT CONTAINS THE SELF WEIGHT INFORMATION FOR EACH STANDARD COMPONENT USED IN THE ASSEMBLY OF A T34. THE TOTAL APPROXIMATE BEAM WEIGHT MAY BE CALCULATED USING THIS TABLE. DO NOT FORGET TO ADD THE WEIGHT OF ANY OTHER RIGGING EQUIPMENT YOU ARE USING.

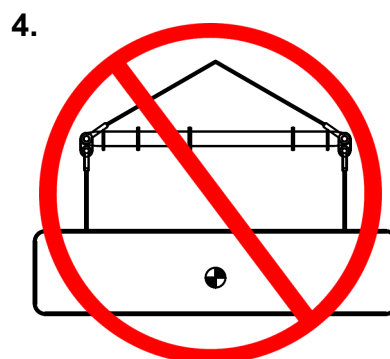
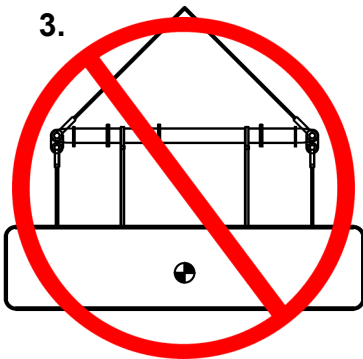
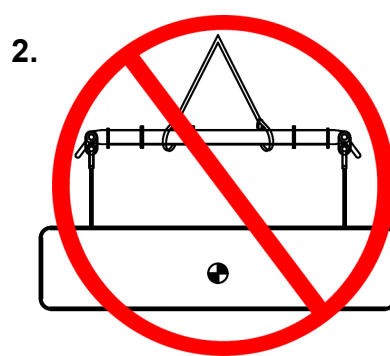
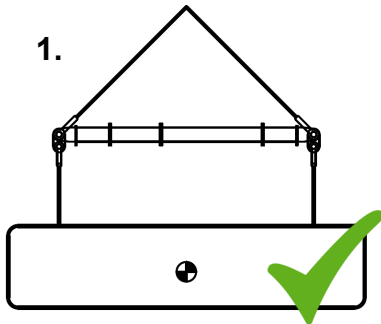
CHART 2: COMPONENT | WEIGHT

Name	Self Weight
End Link	5kg
End Piece	18kg
0.25m Strut	12kg
0.5m Strut	17kg
1m Strut	27kg
2m Strut	47kg
17t Bottom Shackle	8kg
25t Top Shackle	14kg

SLINGS AND RIGGING

- DO NOT RIG THE LOWER SLINGS MORE THAN 6 DEGREES FROM VERTICAL
- CHECK TO ENSURE THAT THE END FITTING FO THE SLING DOES NOT CLASH WITH THE END PIECE OF THE SPREADER.
- WIRE ROPE SLINGS, TEXTILE SLINGS AND CHAIN SLINGS MAY ALL BE USED WITH THIS PRODUCT.

COMMON RIGGING ERRORS



- AN EXAMPLE OF A CORRECT METHOD OF RIGGING A SPREADER BEAM
- INCORRECT, THE TOP SLINGS ARE NOT CONNECTED TO THE ENDS OF THE BEAM.
- INCORRECT, THERE ARE A SECOND PAIR OF BOTTOM SLINGS WHICH ARE CONNECTED TO THE STRUTS ON THE SPREADER.
- INCORRECT, THE STV ANGLE IS GREATER THAN 45°.

BRITLIFT GUIDELINES MUST BE FOLLOWED AT ALL TIMES. IF YOU ARE UNSURE ABOUT ANY PART OF THE USE OF THIS PRODUCT PLEASE CALL OUR ENGINEERS DIRECTLY ON:
+44 (0)1305 236123

ASSEMBLY GUIDE

- CONSULT THE LIFT PLAN AND ENSURE THAT YOU ARE USING THE CORRECT BEAM FOR YOUR LIFT REQUIREMENTS.
- ENSURE EACH COMPONENT YOU ARE USING IS FROM THE CORRECT SERIES AND CHECK THAT ALL RELEVANT CERTIFICAITON IS PRESENT.
- ENSURE THAT THE MATING FACES OF THE COMPONENTS ARE FREE FROM DEBRIS.
- BOLT THE SYSTEM TOGETHER USING THE FASTENERS AND TIGHTENING TORQUE SPECIFIED.
- CHECK AND ENSURE THAT THERE IS A BOLT IN EVERY HOLE.
- PLACE THE LINK PLATE INSIDE THE JAW OF THE END PIECE SO THAT THE LARGER HOLE ON THE LINK PLATE LINES UP WITH THE HOLES ON THE END PIECE.
- PLACE YOUR TOP SLING WITHIN THE TOP SHACKLE AND THEN LOWER THE SHACKLE INTO PLACE OVER THE END PIECE. ONCE ALL THE HOLES ARE ALIGNED, PIN IN PLACE USING THE TOP SHACKLE PIN. REPEAT THIS PROCESS AT THE OTHER END.
- ATTACH THE OTHER END OF THE TOP SLINGS TO THE CRANE HOOK
- THE LOWER SLINGS AND SHACKLES CAN NOW BE CONNECTED TO THE LINK PLATES.
- BEFORE MOVING THE SPREADER OUT OF REACH, THE ASSEMBLY OF THE BEAM MUST BE THOROUGHLY INSPECTED BY A COMPETENT PERSON.
- CONNECT THE BOTTOM SLINGS TO THE LOAD AND CHECK TO ENSURE THAT THE RIGGIN ARRANGEMENT IS IN ACCORDANCE WITH THE LIFT PLAN.