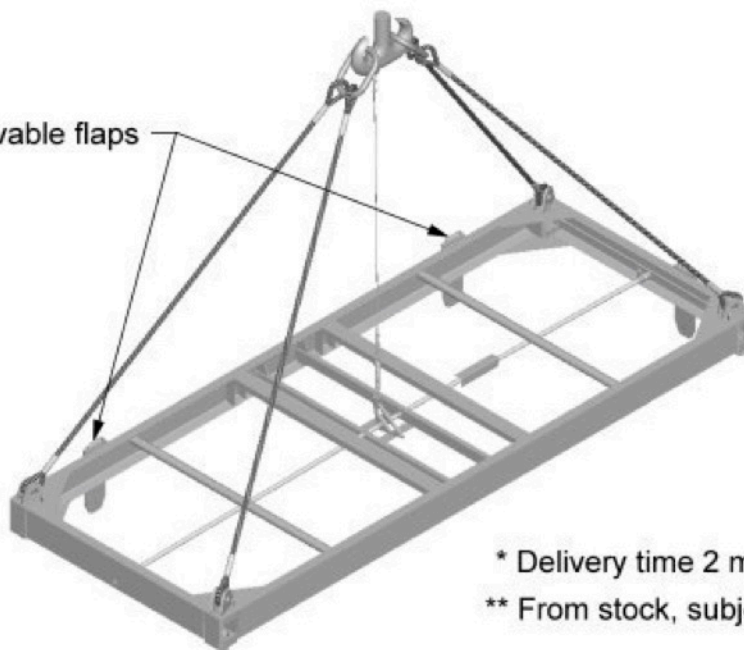
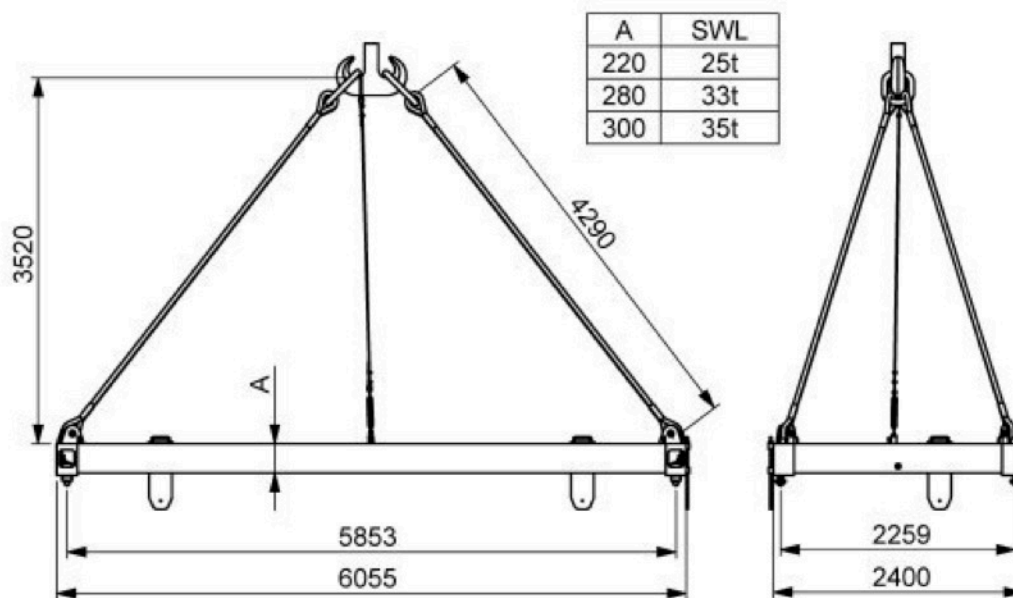


Removable flaps



* Delivery time 2 months

** From stock, subject unsold



e	03/03/10	WM	height dimension added				
d	13/08/09	EN	General update, page numbers changed, modifications updated				
Mod.	Date	Check	Description				
Scale	1:60		Strength:		Weight		
					kg		
					Material		
					Finish		
					Painted		
			SWL	250	330	350	(kN)
Drawing Size	A4	PL	356	440	460	(kN)	
		Weight	1060	1350	1450	(kg)	
Description	20' Spreader						

LES
LIFTING EQUIPMENT STORE