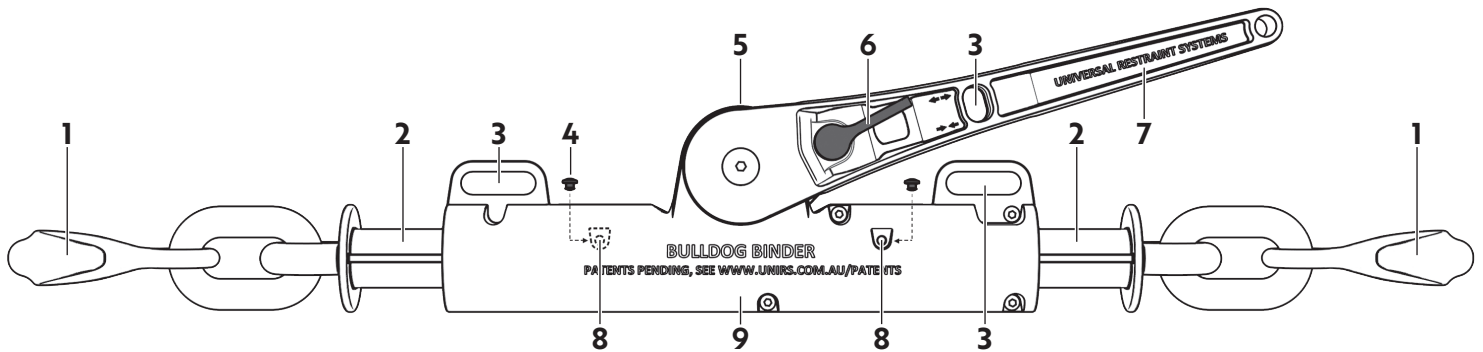


BULLDOG BINDER USER MANUAL

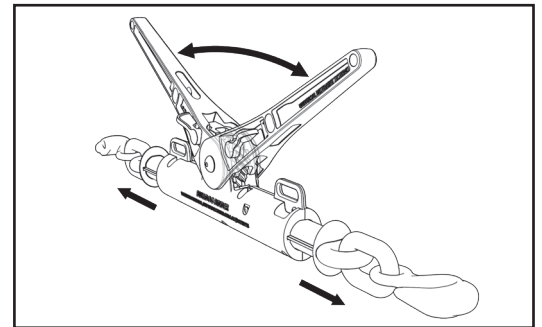
COMPONENTS

- | | | |
|----------------------------------|------------------------------------|---------------------|
| 1 Chain Hooks | 4 Grommets (for Lubrication Ports) | 7 Handle |
| 2 Shuttles | 5 Ratchet and Gearing Mechanism | 8 Lubrication Ports |
| 3 Eyelets (for optional padlock) | 6 Ratchet Direction Switch | 9 Sealed Body |



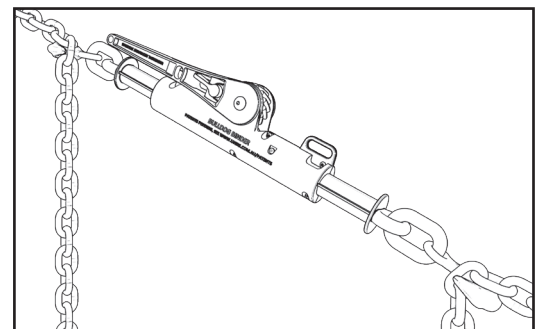
EXPANDING

- 1 Move the ratchet direction switch to the expand position (←→).
- 2 Ratchet the handle until the binder's shuttles are fully extended.
- 3 Ratchet the handle back against the body into its resting position.



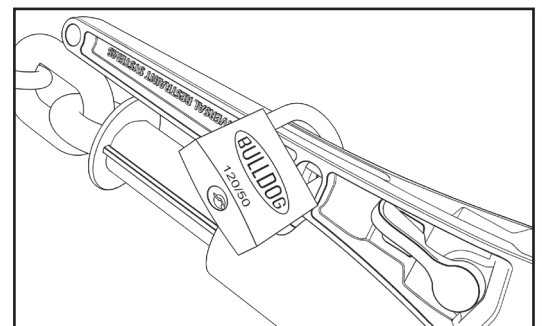
TENSIONING

- 1 Move the ratchet direction switch to the retract position (→←).
- 2 Hook the chains into both ends of the binder.
- 3 Ratchet the handle until full tension on the chain is achieved.
DO NOT use a handle extensions or cheater bar.
- 4 Once tightened, leave the ratchet direction switch in the retract position (→←) and ratchet the handle back against the body.
- 5 For additional security against theft, attach a padlock through the handle and eyelet.



RELEASING

- 1 Move the ratchet direction switch to the expand position (←→).
- 2 Ratchet the handle until the chains can be removed from the hooks.
- 3 Once removed, toggle the ratchet direction switch to the retract position (→←) and ratchet the handle until fully retracted.
- 4 Clean the binder and safely stow it away in your storage box or compartment.

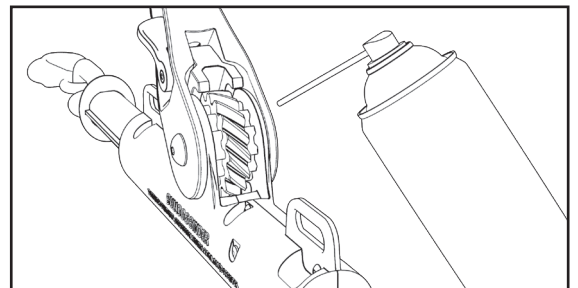
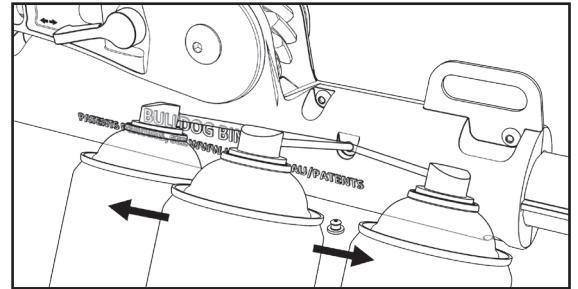


CARE AND USE

- Inspect the Bulldog Binder prior to use and remove from service if components are damaged or if it is not operating to the required parameters.
- When not in use, the Bulldog Binder should be stored in a clean, dry area.
- Ensure the binder is kept clean and all mechanisms are free of contaminants.
- High pressure air can be used to flush out any possible contaminants.
- Lubricate the Bulldog Binder on a regular basis to keep it operating smoothly (see **Maintenance**).
- PTFE lubricants, such as Inox MX5 spray, are recommend for use on the Bulldog Binder.

MAINTENANCE

- 1 Expand the binder to full extension (see **Expanding**).
- 2 Remove the grommet from the binder housing.
- 3 Spray PTFE lubricant through lubrication port in a side-to-side motion for approximately 1-2 seconds.
- 4 Replace the grommet.
- 5 Repeat steps 2 - 4 for the lubrication port on the opposite side of the binder.
- 6 A small amount of lubricant can also be applied between the handle and body at the pivot and to the ratchet mechanism.
- 7 Fully retract the binder to distribute the lubricant to all moving parts.
- 8 Wipe off any excess lubricant from the binder's exterior and ensure both grommets have been correctly replaced.
- 9 Your Bulldog Binder is now ready for continued service.



WARNING

- Never exceed the Working Load Limit (WLL) of the Bulldog Binder.
- Always match the Bulldog Binder with correct size and grade of chain's WLL.
- Subjecting the load binder to loads beyond its WLL can result in severe injury or death.
- Do not operate the binder with anyone on the load that you are securing.
- Keep body parts and loose objects clear of the binder's ratchet and gearing mechanism.
- Do not use a cheater bar or handle extensions on the Bulldog Binder handle.
- The Bulldog Binder specifications are based on destructive laboratory-controlled testing conditions, which will not be exactly duplicated during actual loading and use.
- For all product warranty details, visit our website: www.universalrestraintsystems.com
- Failure to comply with product instructions and warnings will void warranty.

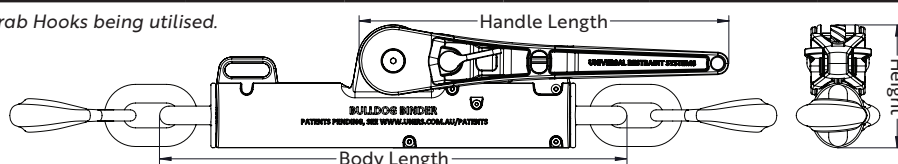


DO NOT USE THE BULLDOG BINDER FOR LIFTING PURPOSES

SPECIFICATIONS

Product Code	Chain Size	End Fittings	Body Length	Handle Length	Height	Weight*	Lashing Capacity	Take-Up
BB08	8mm (5/8")	Winged Grab Hooks	376mm / 14.8in	297mm / 11.7in	99mm / 3.9in	6.25kg / 13.75lb	6,500kg / 14,300lb	155mm / 6.1in
BB10	10mm (3/8")	Winged Grab Hooks	376mm / 14.8in	297mm / 11.7in	99mm / 3.9in	6.75kg / 14.85lb	7,400kg / 16,280lb	155mm / 6.1in
BB13	13mm (1/2")	Winged Grab Hooks	376mm / 14.8in	297mm / 11.7in	99mm / 3.9in	7.00kg / 15.40lb	9,000kg / 19,841lb	155mm / 6.1in

*Weight may vary depending on Grab Hooks being utilised.



+61 1300 BINDER (1300 246 337)



universalrestraintsystems.com