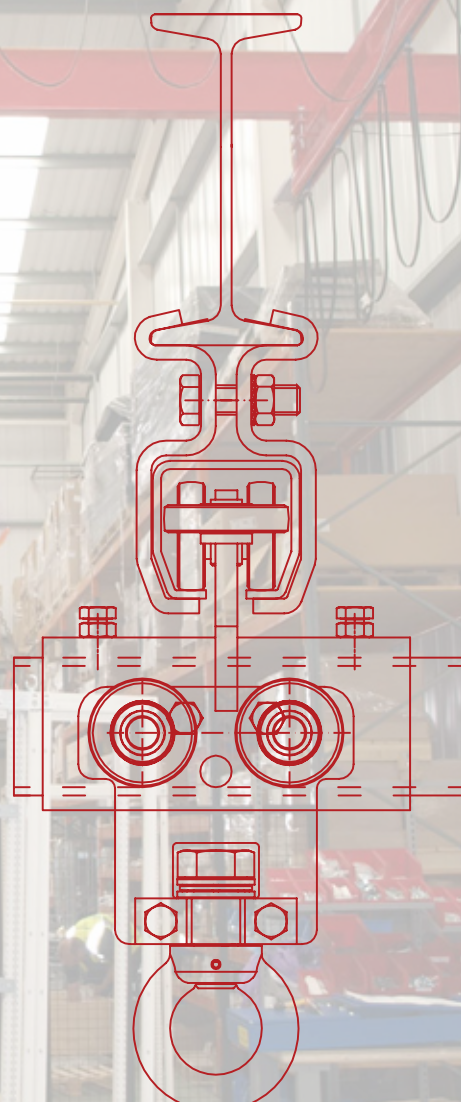


C₂

Light Cranes



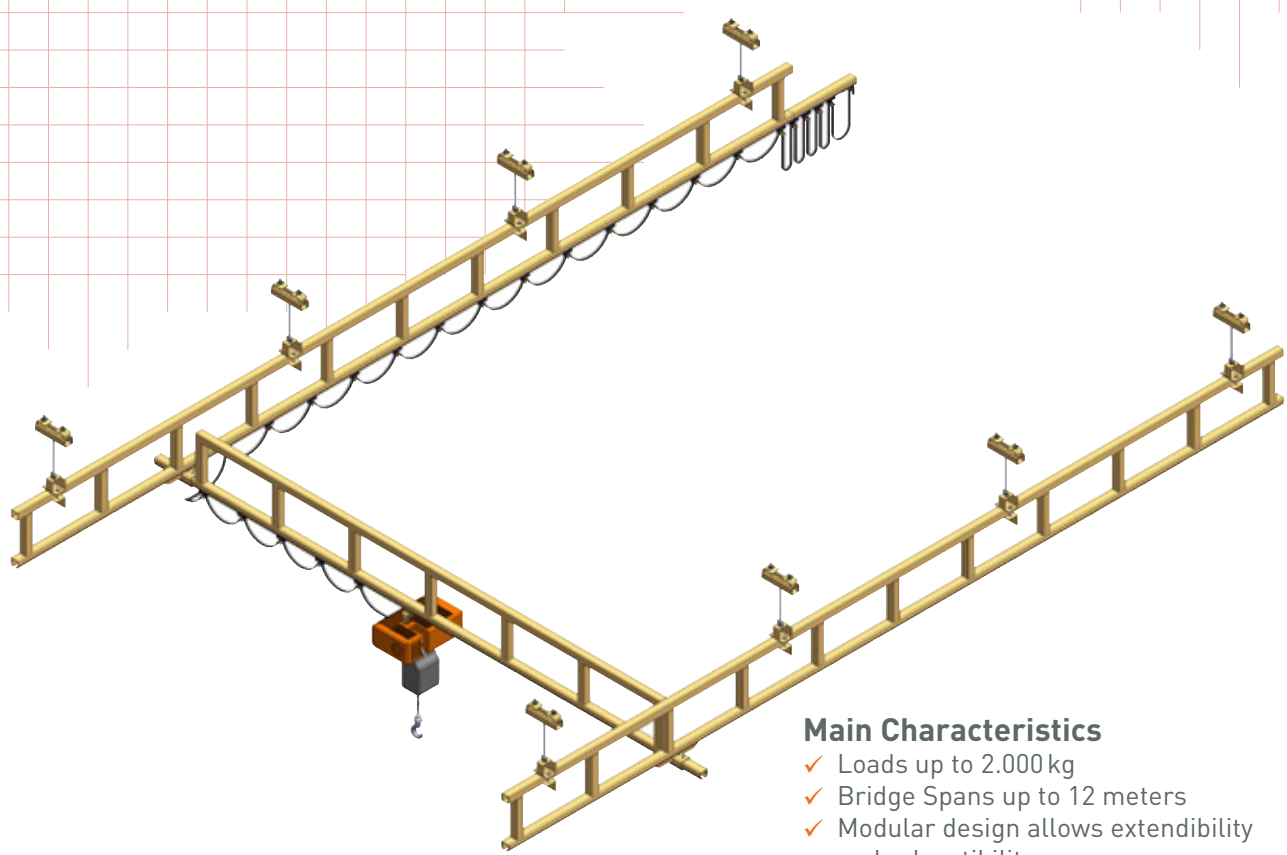
NIKO ... Quality in Motion



www.niko.eu.com

HELM HELLAS S.A.
MANUFACTURERS OF SLIDING DOOR FITTINGS
AND CONVEYOR SYSTEMS

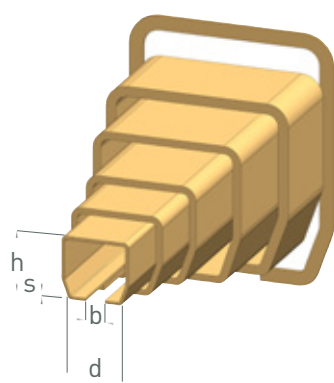
NIKO Light Cranes – A versatile and economic solution for loads up to 2.000 kg and 12 meter span!



Main Characteristics

- ✓ Loads up to 2.000 kg
- ✓ Bridge Spans up to 12 meters
- ✓ Modular design allows extendibility and relocatability
- ✓ Cost Effective
- ✓ Easy to install using a variety of supporting brackets.
- ✓ Large range of mounting options
- ✓ Connectivity with future or existing overhead conveyor system
- ✓ Telescopic cranes
- ✓ Manual or Electric Travel
- ✓ Track transfer units
- ✓ Floor or Ceiling Mounted cranes.
- ✓ Components available in Gold or Silver Finish.
- ✓ Stainless Steel Cranes.

NIKO Light Crane System provides an ergonomic and cost effective solution to conventional overhead crane systems particularly when there is a height and space restriction. Versatile and reliable overhead handling can be achieved for a variety of applications using the NIKO modular design. The robust design of our components and the high standards of manufacturing guarantees long life with little or no maintenance requirements. Our program range is consisted of sliding door fittings, overhead conveyor systems, festoon systems, fall arrest systems and light cranes.



NIKO Profile No.	Dimensions			
	h (mm)	b (mm)	d (mm)	s (mm)
23.000 *	35,00	40,00	11,00	2,75
24.000 *	43,50	48,50	15,00	3,20
25.000 *	60,00	65,00	18,00	3,60
26.000	75,00	80,00	22,00	4,50
27.000	110,00	90,00	25,00	6,50

NIKO Track profiles

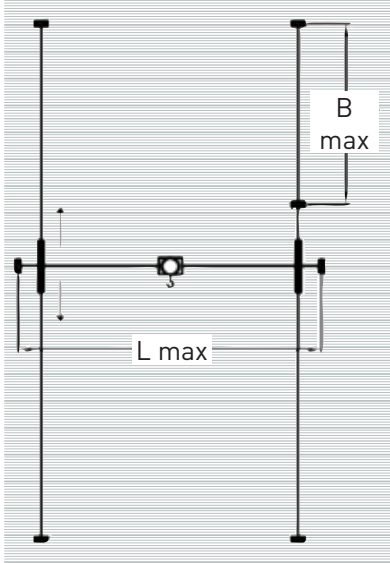
Our wide range of 5 track profile sizes can accommodated loads from 80 kg up to 2.000 kg. The NIKO enclosed track profile tapered design allows correct alignment of the trolleys and reduces the possibility of dust build up. This ensures the smooth running of the trolleys and the long life of the crane. NIKO Light Cranes require 4 times less effort to operate than traditional I Beam Cranes.

Stainless Steel Cranes

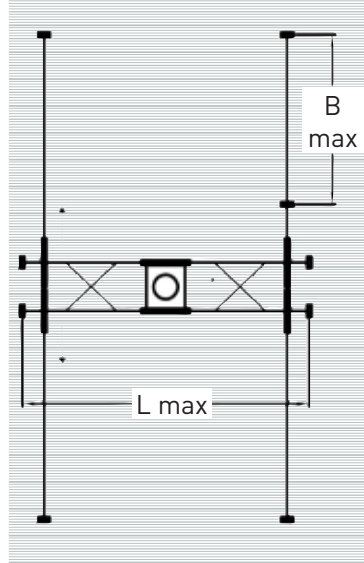
For use in aggressive environments we can also offer Niko Cranes in stainless steel grade 304. Available profiles are indicated with a * in the table above.

NIKO Light Crane Specifications

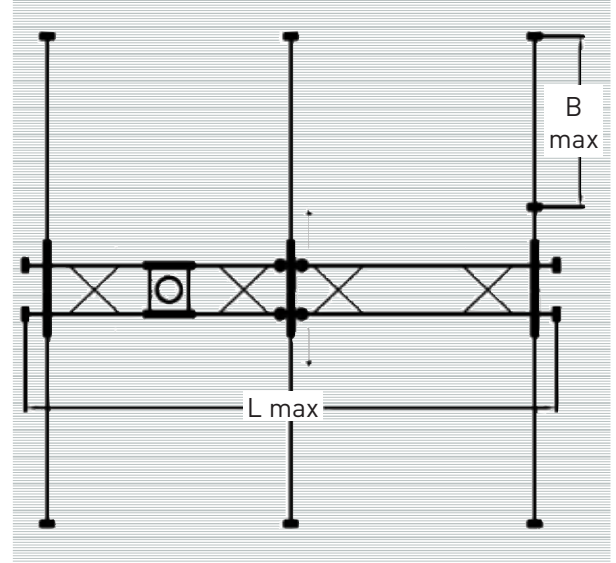
Single Bridge Crane



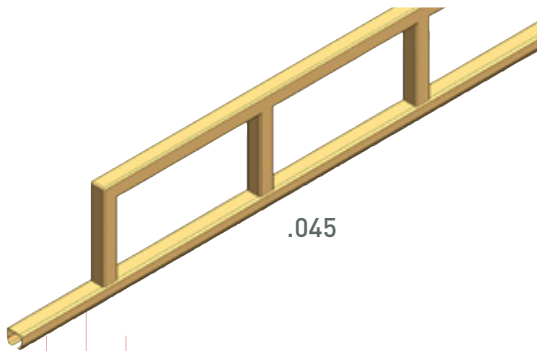
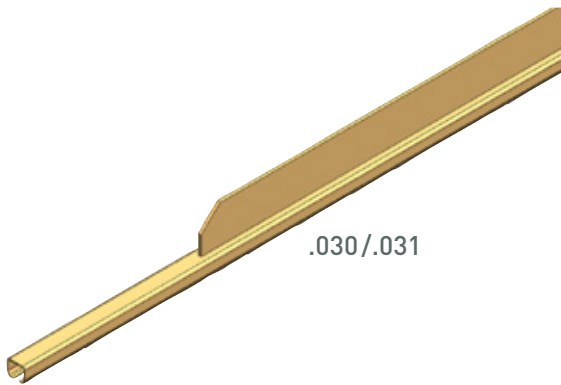
Double Bridge Crane



Extended Double Bridge Crane



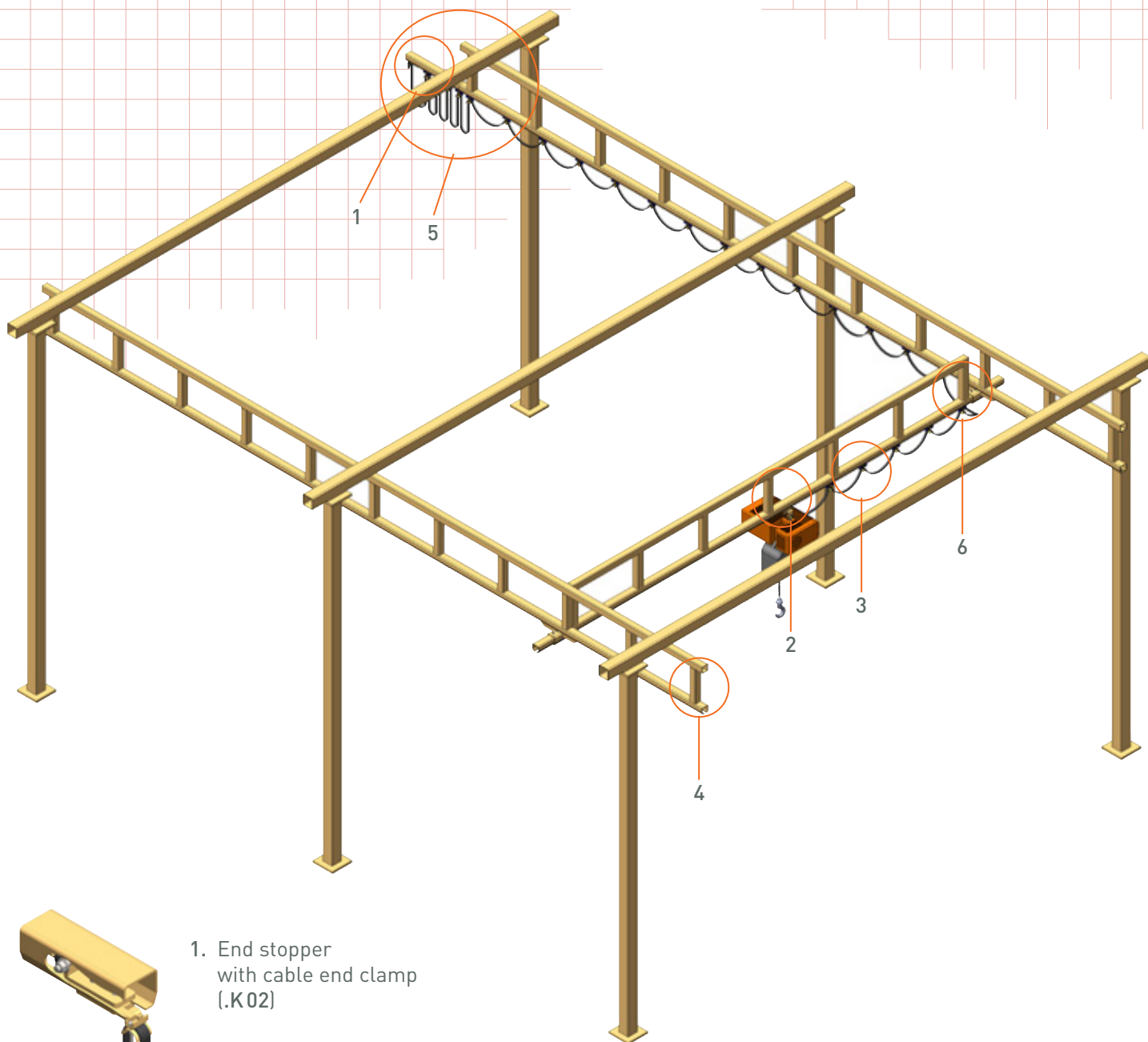
Type of profile reinforcements



Specification chart

Capacity (Kg)	NIKO Profile No.	L max (m) Bridge	B max (m) Long travel profiles	L max (m) Extended bridge
80	23.000	1.50	1,00	-
	23.030	4.00	3,50	-
125	24.000	1.80	1,40	-
	24.030	5.00	4,40	-
	24.045	9.00	8,00	11,00
250	25.000	2.50	1,90	-
	25.030	6.00	5,20	-
	25.045	10.00	9,00	12,00
500	26.000	2.50	1,80	-
	26.030	6.00	5,20	-
	26.045	10.00	9,00	12,00
750	26.000	1.80	1,20	-
	26.033	6.00	5,00	-
	26.045	10.00	9,00	12,00
1000	27.000	3.00	2,10	-
	27.030	6.00	5,00	-
	27.045	10.00	9,00	12,00
1600	27.000	1.50	1,00	-
	27.030	3.50	2,70	-
	27.045	9.00	8,00	11,00
2000	27.030 (Double bridge)	6.00	5,00	-
	27.045 (Double bridge)	10.00	9,00	12,00

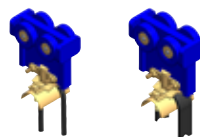
NIKO Light Crane main Components



1. End stopper with cable end clamp (.K02)



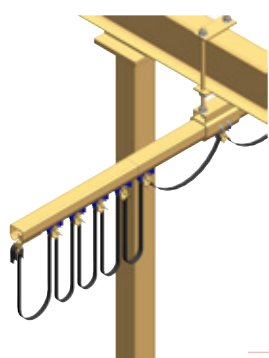
2. Trolley with Pin (T46)



3. Cable trolley (.L00)

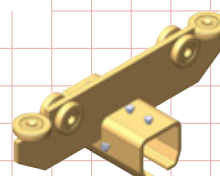


4. Track End stop (.X01P)



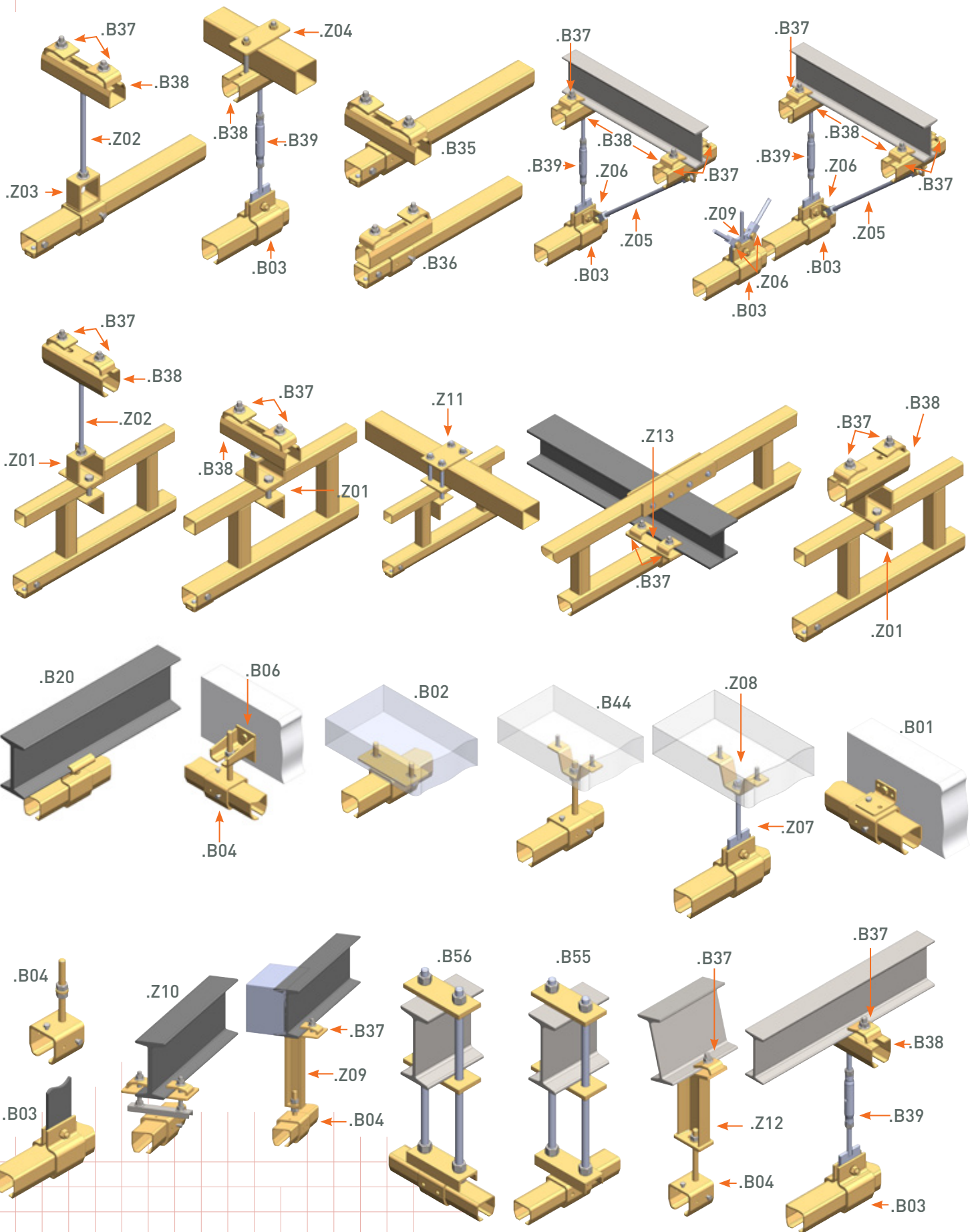
5. Festoon Storage

It is possible to extend one of the long travel tracks for festoon storage purposes. This way no crane travel space is lost.



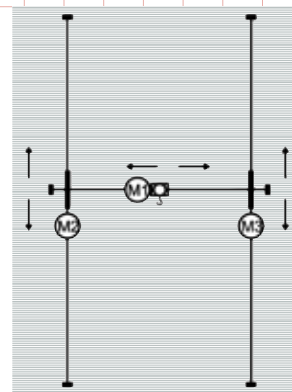
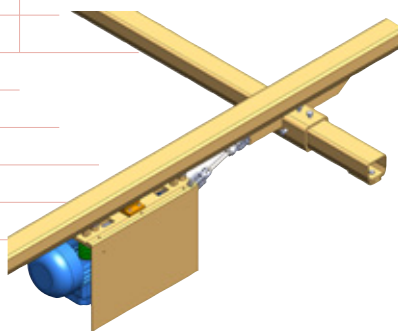
6. End carriage with track joint (.T54)

NIKO Mounting Assemblies Options



NIKO Electric Tractor Drives

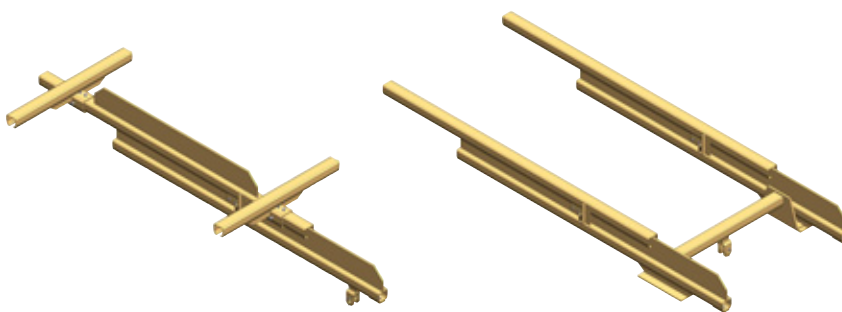
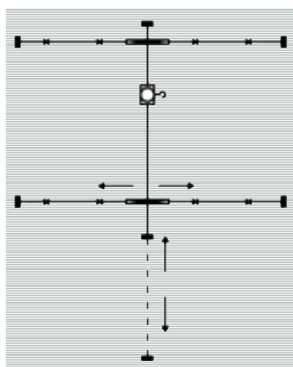
The light cranes can be electrically driven using our power driven trolleys. The power drive trolley operates using a high quality friction wheel that ensures long life and accuracy in movement. Electric travel is possible in 3 options: Electric travel only of the trolley running in the cross bridge (M1), electric travel only of the cross bridge itself (M2+M3) and complete electric travel in all movements (M1+M2+M3). Our power driven trolleys have 2 speed built in motors.



NIKO Profile No.	Power Driven Trolley	Transferred load (kg)	L ₁ (mm)	L ₂ (mm)	H (mm)	h (mm)	Velocity (m/min)	Power (kW)	Current (A)	3-M	
										V	Hz
26.000	26.H110	500	355	360	260	75	20/5	0.3/0.09	1.1/0.8	400	50
27.000	27.H110	1.000	420	360	265	110	20/5	0.3/0.09	1.1/0.8	400	50

NIKO Telescopic Monorail and Cranes

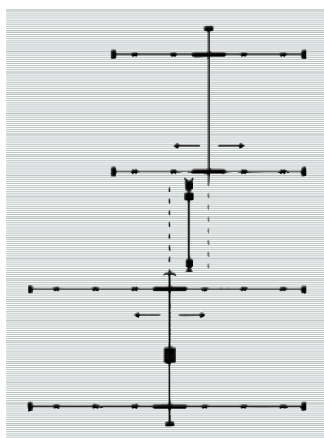
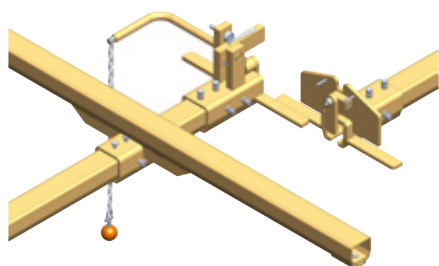
In order to cover a wider area than the supporting space structure permits a telescopic cross bridge is available. Using our components telescopic cranes are also possible which are very often installed in containers and trucks.



NIKO Profile No.	23.000	24.000	25.000	26.000	27.000
P max Kg	40	75	125	250	500
A max Kg	1200	1200	1300	1300	1300

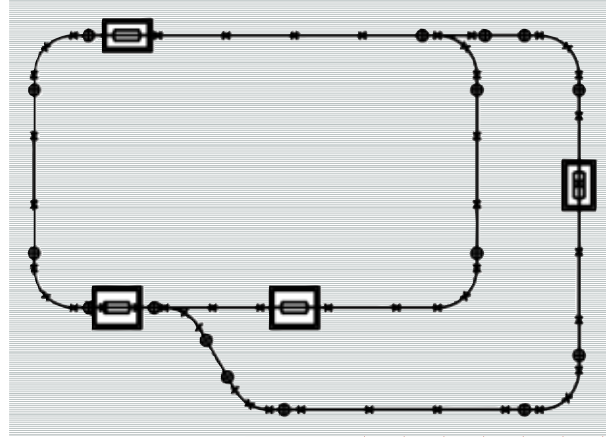
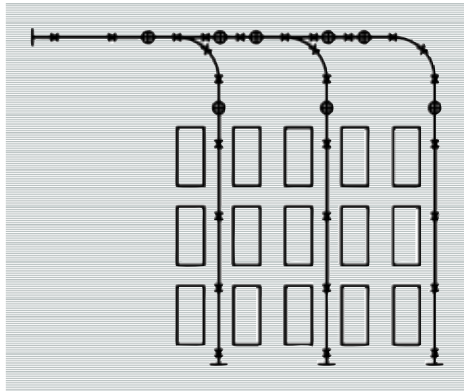
NIKO Transfer Units

Transfer Units are used to connect a crane with another crane or an extended conveyor system. The trolley carrying load is transferred with safety from one system to the other.



NIKO Monorails with switches & bends

NIKO conveyor system can be used in a variety of applications, utilizing more than 1.000 conveyor components like switches and turn tables.

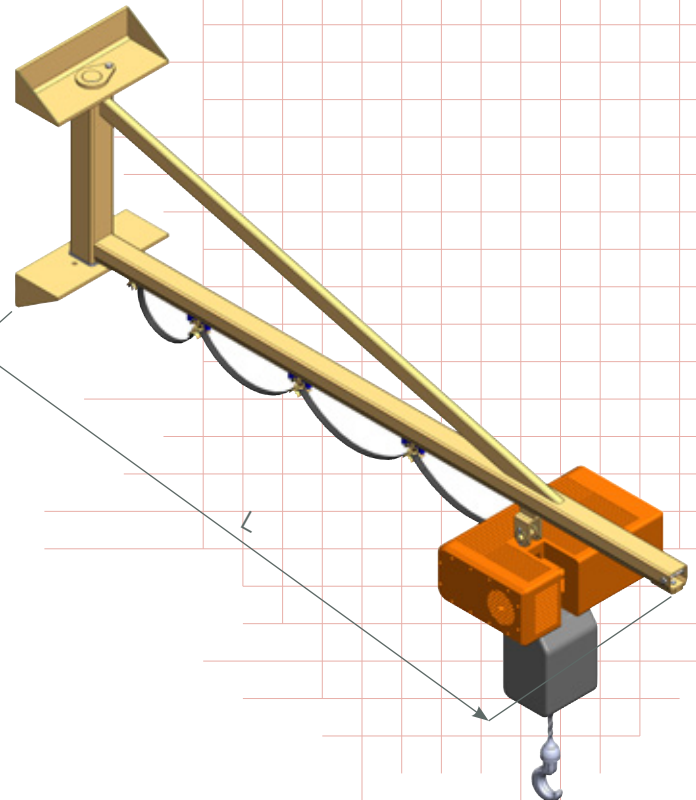


NIKO Jib Cranes

Utilizing our enclosed track profiles we produce high quality and low cost jib cranes suitable for wall or pillar mounting. Our standard range is 180 degrees for capacities of up to 1.000 kg. Our jib cranes sets come complete with a trolley for load suspension and the respective cable/hose trolleys.

The characteristics of our enclosed track profile design offers ease of use and minimal pulling/pushing force in the operation of the jib cranes. This is critical into the ergonomic operation of the jib crane and the minimization of potential strain on the user.

Weight Kg	NIKO Jib Crane Code	L mm	Niko Profile No.	H
80	24.J052	2000	24.000	500
	24.J053	3000	24.000	500
	24.J064	4000	24.000	600
	25.J095	5000	25.000	900
	25.J106	6000	25.000	1000
125	25.J052	2000	25.000	500
	25.J053	3000	25.000	500
	25.J064	4000	25.000	600
	25.J095	5000	25.000	900
	25.J106	6000	25.000	1000
250	25.J052	2000	25.000	500
	25.J063	3000	25.000	600
	25.J084	4000	25.000	800
	26.J095	5000	26.000	900
500	26.J106	6000	26.000	1000
	26.J082	2000	26.000	800
	26.J083	3000	26.000	800
	26.J094	4000	26.000	900
	27.J105	5000	27.000	1000
1000	27.J116	6000	27.000	1100
	27.J092	2000	27.000	900
	27.J093	3000	27.000	900
	27.J104	4000	27.000	1000





AUSTRIA-NIKO Vertriebs GmbH
 Hainfelderstraße 3
 A – 2564 Weissenbach
 Tel. 0043 (0) 2674 81005
 Fax 0043 (0) 2674 81006
office.at@niko.eu.com

GERMANY-NIKO Technik GmbH
 Friedrichstraße 269 A
 D – 42551 Velbert
 Tel. 0049 (0) 2051 6047 36
 Fax 0049 (0) 2051 6047 38
office.de@niko.eu.com

GREECE-Helm Hellas S.A.
 82nd Km Athens-Korinthos
 P.O. Box 209
 201 00 KORINTHOS
 Tel. 0030 (0) 27410 85803-6
 Fax 0030 (0) 27410 25368
info@niko.eu.com

POLAND- NIKO Polska
 Wojska Polskiego 97
 Wielun 98-300
 Tel. 0048 504 00 35 56
 Email: info.pl@niko.eu.com

UNITED KINGDOM-NIKO Ltd
 Unit 12 Southfield Road
 Kineton Road Ind. Est. Southam
 Warwickshire – CV47 OLT – UK
 Tel. 0044 (0) 1926 813111
 Fax 0044 (0) 1926 815599
Sales@niko-ltd.co.uk

USA-NIKO Track
 300 Highpoint Ave
 Portsmouth, RI. 02871 USA
 Tel. 001 (0) 401 683 7525
 Fax 001 (0) 401 683 6450
Sales@NikoTrack.com

www.niko.eu.com

TRADITION IS PROGRESS PRESERVED, PROGRESS IS TRADITION CONTINUED.

Helm Hellas 1972 – 2012

A family business for 40 years, Helm Hellas has been built on the twin foundations of Tradition and Progress, always heading towards a successful economic future.

QUALITY IS THE RESULT OF ATTENTION TO DETAIL.

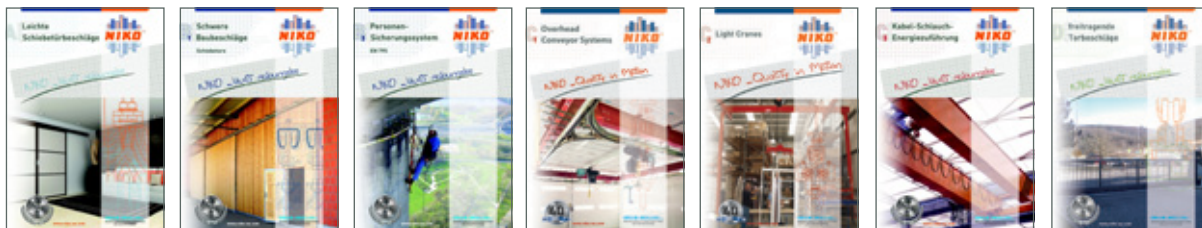
Quality will always be as standard for us, our products, our staff and our partners.

OUR VISION.

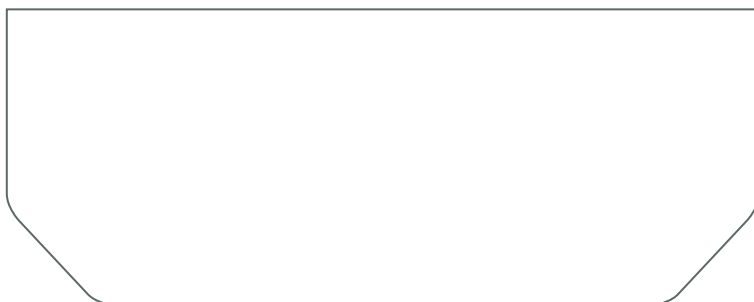
We are an international company and our goal is to be market leaders in each of our business sectors.

OUR VALUES

- ✓ We want to offer our customers the best quality at a reasonable price.
- ✓ We strive for continual improvement in our quality procedures – because we believe the company that doesn't move forward will be left behind.
- ✓ We respond to any demand on the market with the ongoing development of new products.
- ✓ We support our co-workers by ensuring they are highly motivated and well qualified.
- ✓ We want to expand into new sales markets to continue to win satisfied customers.



Your **NIKO** agent will be happy to advise you:



Complete product range **NIKO**:

- A1 – Residential Sliding Door Hardware
- A2 – Sliding Curtains Hardware
- B1 – Heavy Duty Sliding Door Hardware
- B2 – Folding and Harmonica Door Hardware
- B3 – Garage Door and Door around the corner Hardware
- C1 – Overhead Conveyor Systems
- C2 – Light Cranes
- C3 – Cable Trolleys and Festoon Systems
- C4 – Personal Fall Arrest Systems (EN 795)
- D – Sliding Gate Hardware