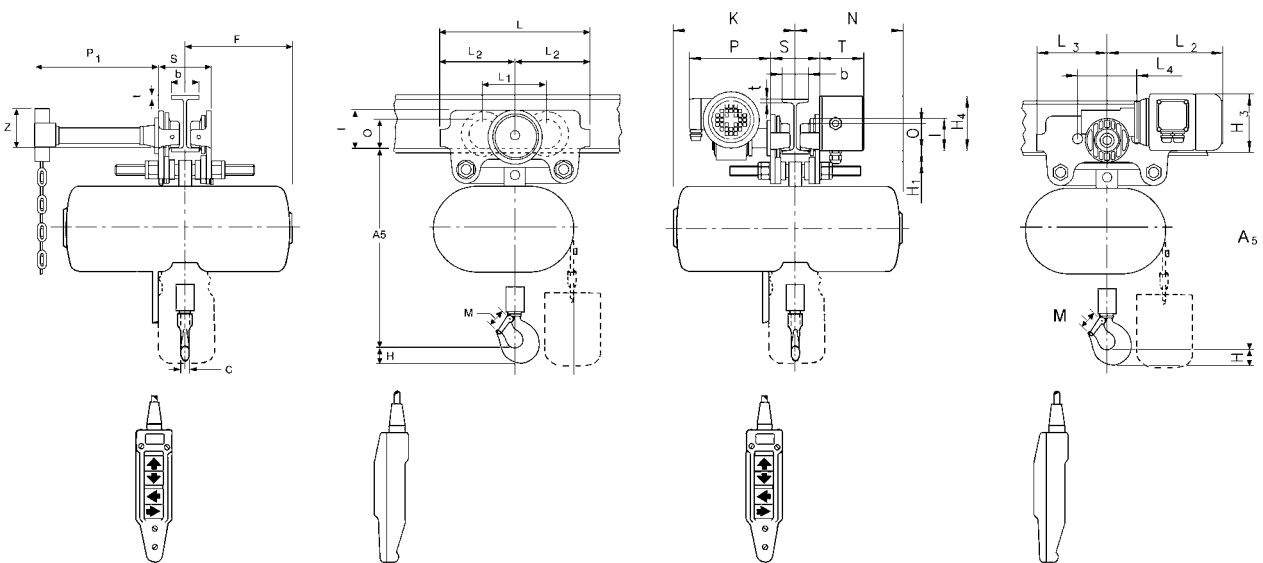


Dimensions

Model	CM Lodestar 250/500	CM Lodestar 500/1000	CM Lodestar 2000
Frame type	A, B, C, F and AA	J, L, JJ and LL	RR
A4 (3 m), mm	496	597	754
A5, mm	427	470	603
H1, mm	24	24	24
H3, mm	129	128	128
H4 (push), mm	92	91	91
H4 (electric), mm	125	110	110
I, mm	77	98	98
L (push), mm	310	360	360
L (electric), mm	410	435	435
L (two speeds), mm	420	445	445
L1, mm	130	150	150
L2, mm	255	255	255
L2 (two speeds), mm	265	265	265
L3, mm	155	180	180
L4, mm	143	179	179
O, mm	60	80	80
P, mm	187	187	187
P1, mm	295	295	295
S, mm	b+50	b+54	b+54
T, mm	19	19	19



CM Lodestar, integrated push or geared trolley

CM Lodestar, integrated electric trolley