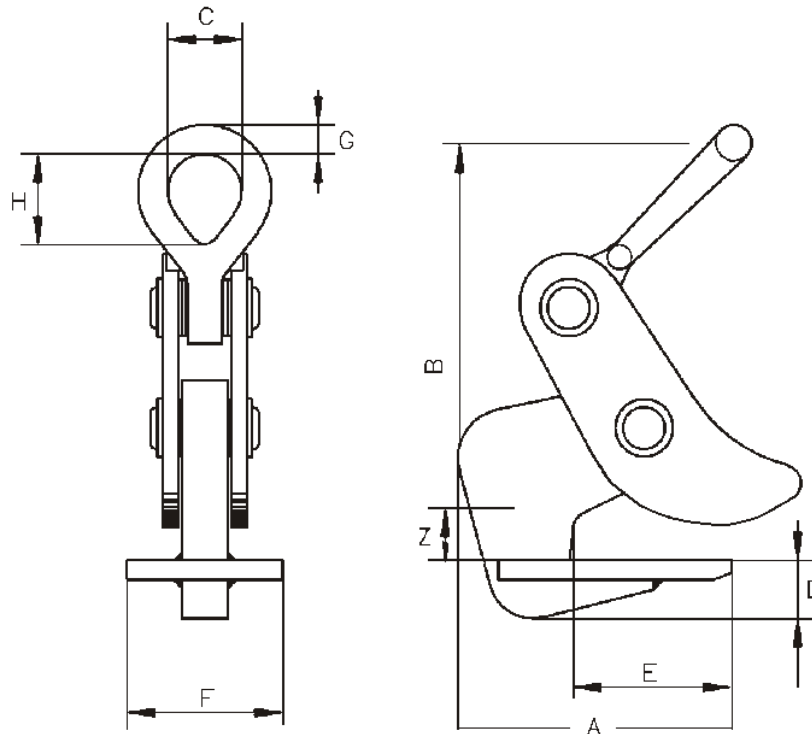


DESCRIPTION

The CH Series of plate clamps are sold in pairs and can be used with a 2 leg sling at 90° on all types of materials in plate form, providing that the plate can withstand the forces imposed on to it. The standard clamps are supplied with smooth jaw and are suitable for lifting one plate at a time, or bundles of plate providing the plates are of the same width, have straight square sides and are thicker than 10% of the maximum thickness.

DIAGRAM



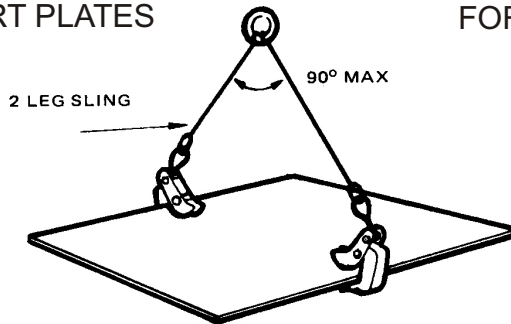
TABLE

| MODEL | WLL | Plate mm Z | Weight kg | A | B | C | D | E | F | G | H |
|-----------|------|------------|-----------|-----|-----|-----|----|-----|-----|----|-----|
| CH 1,0 | 1,0 | 5 - 32 | 8 | 142 | 200 | 50 | 30 | 82 | 100 | 10 | 73 |
| CH 2,0 | 2,0 | 5 - 32 | 11 | 142 | 220 | 50 | 30 | 82 | 100 | 18 | 73 |
| CH 2,0/L | 2,0 | 20 - 50 | 12 | 142 | 250 | 50 | 30 | 82 | 100 | 18 | 73 |
| CH 4,0 | 4,0 | 5 - 50 | 17 | 192 | 288 | 64 | 40 | 112 | 100 | 25 | 92 |
| CH 4,0/L | 4,0 | 50 - 100 | 23 | 192 | 338 | 64 | 40 | 112 | 100 | 25 | 92 |
| CH 6,0 | 6,0 | 5 - 75 | 46 | 272 | 402 | 90 | 55 | 172 | 130 | 35 | 130 |
| CH 6,0/L | 6,0 | 50 - 125 | 56 | 272 | 477 | 90 | 55 | 172 | 130 | 35 | 130 |
| CH 8,0 | 8,0 | 5 - 75 | 53 | 273 | 428 | 90 | 55 | 168 | 130 | 35 | 130 |
| CH 8,0/L | 8,0 | 50 - 125 | 60 | 273 | 503 | 90 | 55 | 168 | 130 | 35 | 130 |
| HH 8,0 | 8,0 | 5 - 50 | 21 | 273 | 428 | 90 | 55 | 168 | 130 | 35 | 130 |
| HH 8,0/L | 8,0 | 50 - 100 | 28 | 273 | 503 | 90 | 55 | 168 | 130 | 35 | 130 |
| CH 10,0 | 10,0 | 5 - 100 | 95 | 334 | 515 | 114 | 65 | 214 | 150 | 35 | 114 |
| CH 10,0/L | 10,0 | 50 - 150 | 108 | 334 | 600 | 114 | 65 | 214 | 150 | 35 | 114 |

RESTRICTIONS

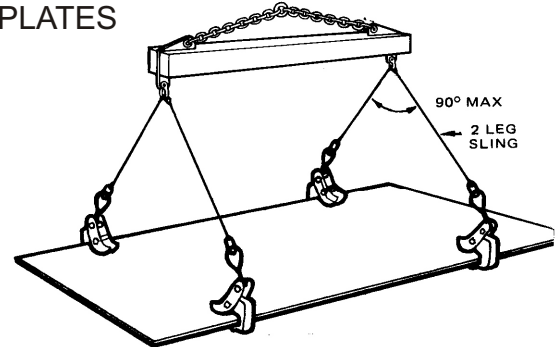
Included angle between chain and sling is not to exceed 90 degrees.

FOR SHORT PLATES



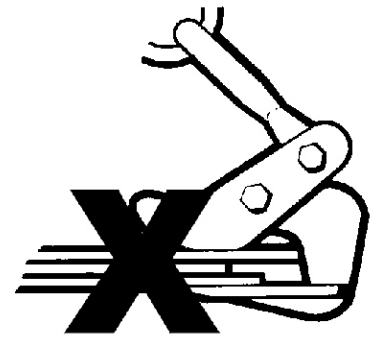
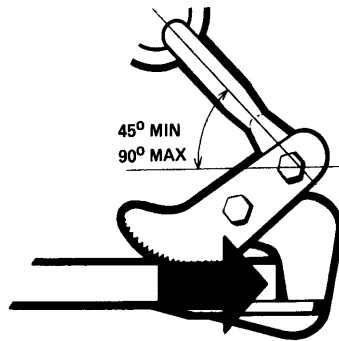
Use one pair of clamps for short plates

FOR LONG PLATES



Use a lifting beam or a spreader beam for long plates. DO NOT use endless chain slings or 4 leg slings.

Check the plate is in contact with the back of the clamp. Bundles must be the same width and size.



OPTIONS

Standard CH plate clamps are supplied in pairs with smooth jaws, these can be replaced with jaws incorporating serrated hardened steel teeth. These clamps can be used with a 2 leg sling at 90° on all types of materials in plate form with a surface hardness of up to 300 Brinell providing that the plate can withstand the forces imposed on to it. They're suitable for lifting only one plate at a time and various cap sizes are available by request.

