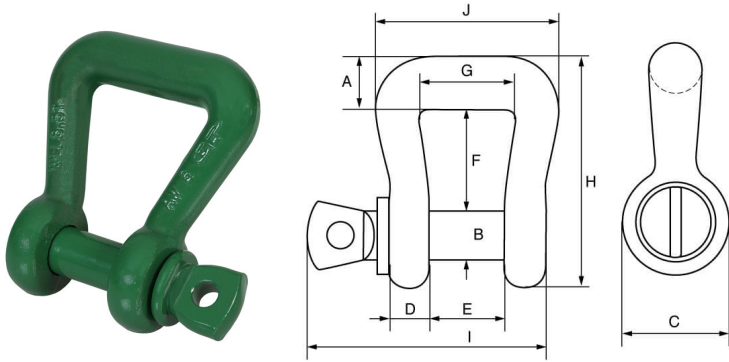


Green Pin® Web Sling Shackle with Screw Collar Pin – GPWSS



- Grade 8 alloy steel body and pin, quenched and tempered.
- Shackle body & pin green painted.
- Conforms to BS EN 1677-1.
- Minimum breaking load is 6 times the W.L.L.
- Temperature range -40°C up to +200°C.
- Marked with CE, W.L.L, manufacturers ID, size and traceability code.
- Certification available **2.1** **3.1** **DoC**

P-5461

Product Code	W.L.L. t	A mm	B mm	C mm	D mm	E mm	F mm	G mm	H mm	I mm	J mm	Weight kgs
GPWS3.25	3.25	20	19	40	16	27	38	35	87	89	68	0.66
GPWS4.75	4.75	24	22	46	19	31	48	46	106	106	85	1.1

Product Code	W.L.L. t	A mm	B mm	C mm	D mm	E mm	F mm	G mm	H mm	I mm	J mm	Weight kgs
GPWS6.5	6.5	27	25	52	22	36	72	62	137	137	109	1.79
GPWS8.5	8.5	31	28	59	25	43	84	79	158	158	134	2.79