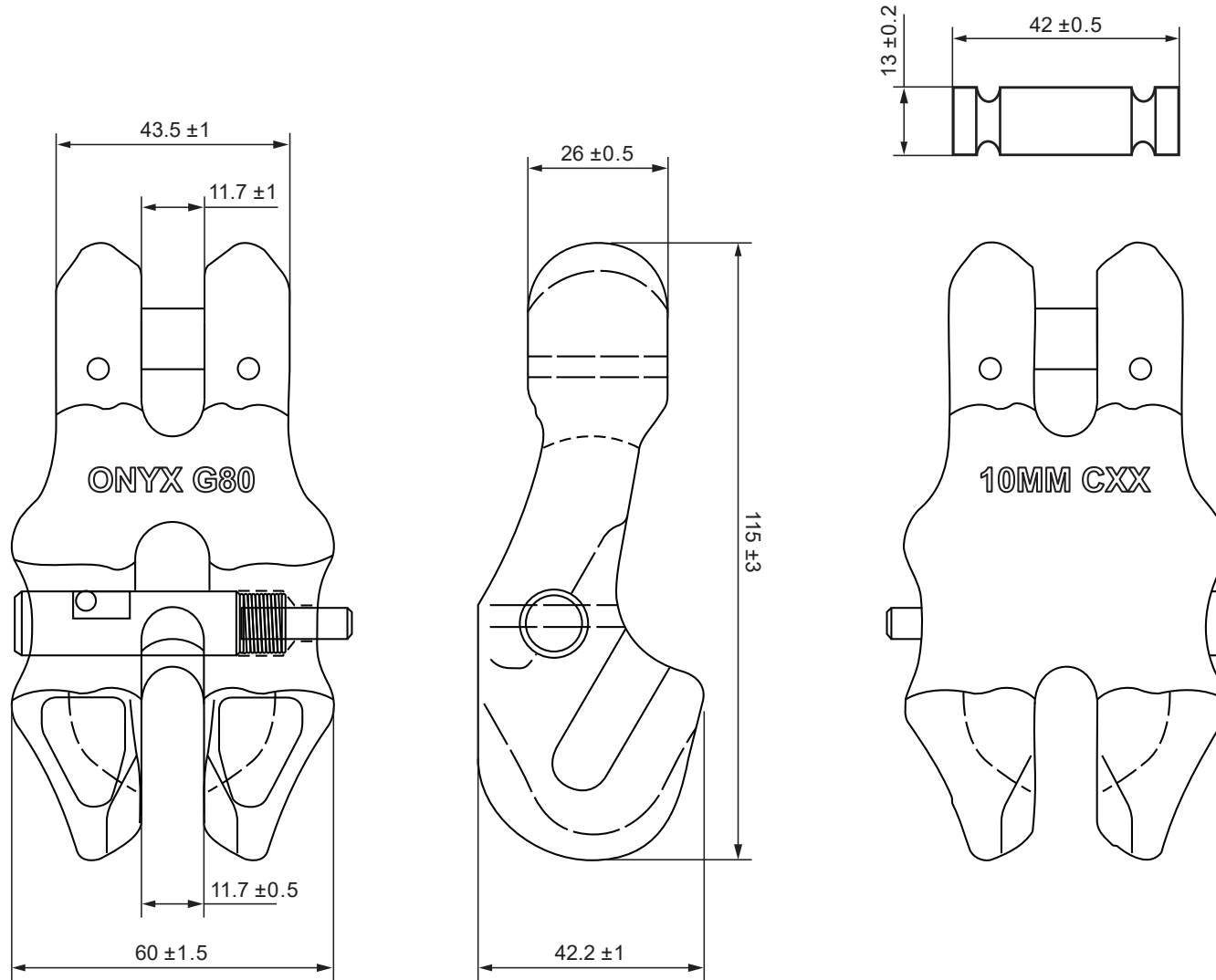


Onyx Grade 80 Clevis Shortening Clutch

Code : OXCSCP10

Chain Dia. : 10mm

ONYX



We reserve the right to make ammendments on specifications in this drawing without prior notification.

GEORGE TAYLOR LIFTING GEAR
UNIT 4, FRYERS ROAD,
WALSALL WS2 7LZ



Drawing Number
OXCSCP10-GTTD

Format
A4

Copyright by George Taylor & Co. Lifting Gear (Midlands) Ltd. All rights reserved ©.
This document or any part of it may neither be used for any purpose other than that for which it is specifically designed, without the prior written consent of GT.

Part name:
OXCSCP10

Scale
1:1.25

Drawn by	Josh Ranford
Page	1/1

12.02.24	First Issue
----------	-------------