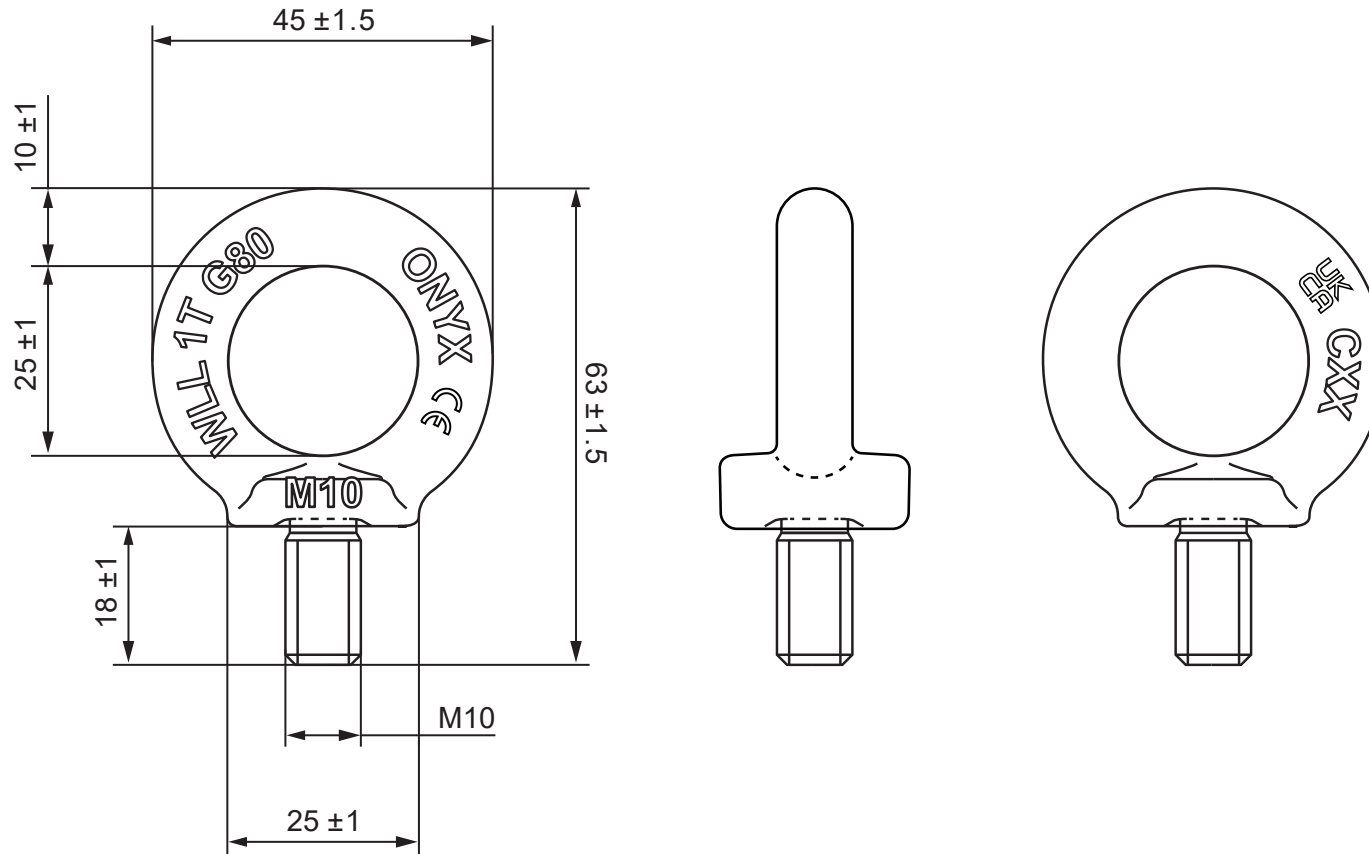


Onyx Grade 80 Eyebolt

Code : OXEB10

Dia. : 10mm

**ONYX**



We reserve the right to make amendments on specifications in this drawing without prior notification.

GEORGE TAYLOR LIFTING GEAR  
UNIT 4, FRYERS ROAD,  
WALSALL WS2 7LZ



Drawing Number  
**OXEB10-GTTD**

Format  
**A4**

Copyright by George Taylor & Co. Lifting Gear (Midlands) Ltd. All rights reserved ©.  
This document or any part of it may neither be used for any purpose other than that for which it is specifically designed, without the prior written consent of GT.

Part name:  
**OXEB10**

Scale  
**1:1**

Drawn by **Josh Ranford**

Page **1/1**

15.02.24

First Issue