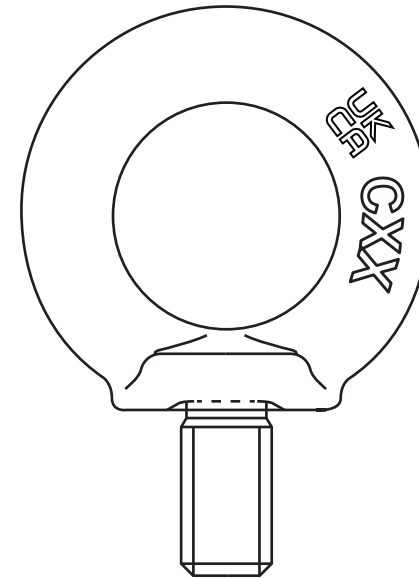
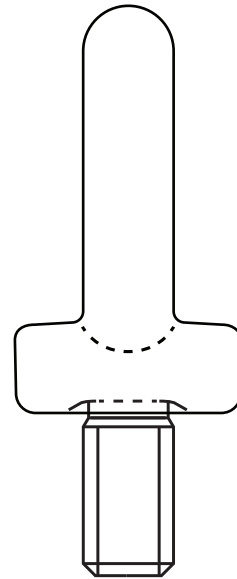
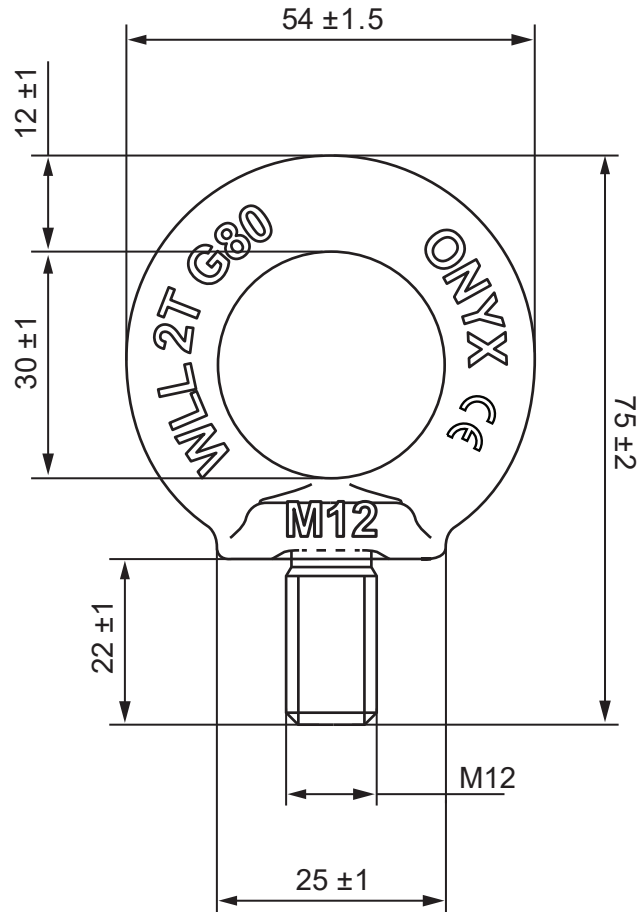


Onyx Grade 80 Eyebolt

Code : OXEB12

Dia. : 12mm

ONYX



We reserve the right to make ammendments on specifications in this drawing without prior notification.

GEORGE TAYLOR LIFTING GEAR
UNIT 4, FRYERS ROAD,
WALSALL WS2 7LZ



Drawing Number
OXEB12-GTTD

Format
A4

Copyright by George Taylor & Co. Lifting Gear (Midlands) Ltd. All rights reserved ©.
This document or any part of it may neither be used for any purpose other than that
for which it is specifically designed, without the prior written consent of GT.

Part name:
OXEB12

Scale
1:1

Drawn by **Josh Ranford**

Page **1/1**

15.02.24

First Issue