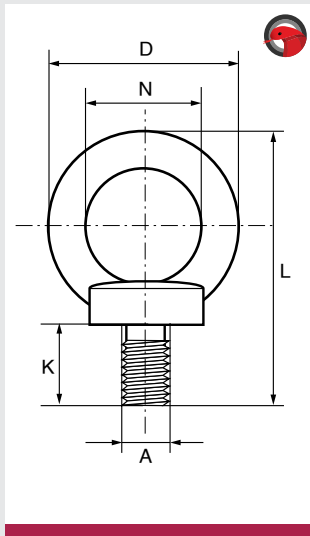


Cobra Grade 80 Eyebolt - 054 Series



Material Grade 80 alloy steel, quenched and tempered

Finish Red painted

Standard DIN 580 according to size

Temp. Range -20°C up to +200°C

Safety Factor MBL equals 4 x W.L.L.

Markings **COBRA**, **CE**, material grade, size and traceability code

Certification 2.1 DoC

Product Code	Part No.	W.L.L. t	A mm	D mm	K mm	L mm	N mm	Weight kgs
G80EB6	054-M6	0.4	6	28	13	42	16	0.05
G80EB8	054-M8	0.8	8	36	15	51	20	0.06
G80EB10	054-M10	1	10	45	18	63	25	0.11
G80EB12	054-M12	2	12	54	22	75	30	0.18
G80EB14	054-M14	3	14	63	28	89.5	35	0.28
G80EB16	054-M16	4	16	63	28	90	35	0.29
G80EB18	054-M18	5	18	72	30	101	40	0.42
G80EB20	054-M20	6	20	72	30	101	40	0.45
G80EB22	054-M22	7	22	81	34.5	115.5	45	0.67
G80EB24	054-M24	8	24	90	38	128	50	0.87
G80EB30	054-M30	12	30	108	45	154	60	1.66
G80EB33	054-M33	14	33	108	45	154	60	1.72
G80EB36	054-M36	16	36	126	55	183	70	2.65
G80EB39	054-M39	20	39	126	55	183	70	2.8
G80EB42	054-M42	24	42	144	65	212	80	4.03
G80EB45	054-M45	28	45	144	65	212	80	4.25
G80EB48	054-M48	32	48	166	70	238	90	6.38

Working Load Limit Chart

Safety factor	1 Leg		2 Legs		2 Legs		3 or 4 Legs		3 or 4 Legs	
4										
	Working Angles	0°	90°	0°	90°	0° < β < 45°	45° < β < 60°	0° < β < 45°	45° < β < 60°	Asimm
Dia mm	Working Load Limit t									
M6	0.40	0.15	0.80	0.30	0.21	0.15	0.32	0.23	0.15	
M8	0.80	0.40	1.60	0.80	0.56	0.40	0.84	0.60	0.40	
M10	1.00	0.40	2.00	0.80	0.56	0.40	0.84	0.60	0.40	
M12	2.00	0.75	4.00	1.50	1.05	0.75	1.58	1.13	0.75	
M14	3.00	1.00	6.00	2.00	1.40	1.00	2.10	1.50	1.00	
M16	4.00	1.50	8.00	3.00	2.10	1.50	3.15	2.25	1.50	
M18	5.00	2.00	10.00	4.00	2.80	2.00	4.20	3.00	2.00	
M20	6.00	2.30	12.00	4.60	3.22	2.30	4.83	3.45	2.30	
M22	7.00	2.80	14.00	5.60	3.92	2.80	5.88	4.20	2.80	
M24	8.00	3.20	16.00	6.40	4.48	3.20	6.72	4.80	3.20	
M27	10.00	4.00	20.00	8.00	5.60	4.00	8.40	6.00	4.00	
M30	12.00	4.50	24.00	9.00	6.30	4.50	9.50	6.80	4.50	
M36	16.00	7.00	32.00	14.00	9.80	7.00	14.70	10.50	7.00	
M42	24.00	9.00	48.00	18.00	12.60	9.00	18.90	13.50	9.00	
M48	32.00	12.00	64.00	24.00	16.80	12.00	25.20	18.00	12.00	