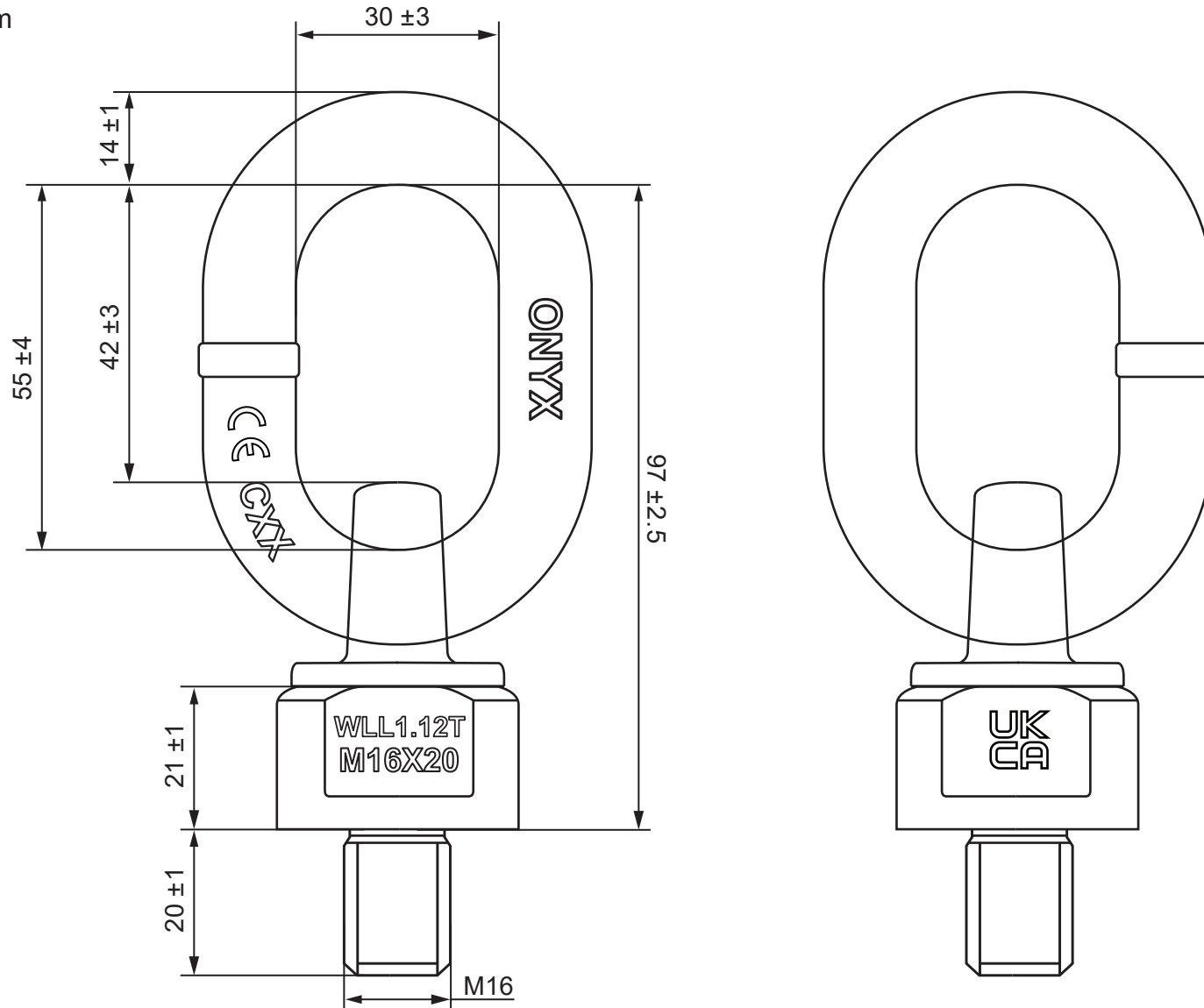


Onyx Grade 80 Swivel Lifting Point

Code : OXSLP1620

Dia. : 16mm

ONYX



We reserve the right to make amendments on specifications in this drawing without prior notification.

GEORGE TAYLOR LIFTING GEAR
UNIT 4, FRYERS ROAD,
WALSALL WS2 7LZ



Drawing Number
OXSLP1620-GTTD

Format
A4

Weight
0.47 kgs

Drawn by
Josh Ranford

Copyright by George Taylor & Co. Lifting Gear (Midlands) Ltd. All rights reserved ©.
This document or any part of it may neither be used for any purpose other than that
for which it is specifically designed, without the prior written consent of GT.

W.L.L.
2.24t 0° / 1.12t 90°

Scale
1:1

Page
1/1

16.02.24

First Issue