

GS/P AGILE PLUS S4 1185X555

THE AGILE SCALE PALLET TRUCK



GS/P Agile plus

Agile motorized pallet truck with weight indicator combines electric and manual function for convenient usability. Compact, light, simple and easy to use, it also provides an accurate estimate of the weight of the load during the material handling process without delaying the handling of the goods. The machine can be equipped with supplements such as printer or USB, and thanks to the 4 load cells it is able to be very precise and functional; ideal for checking incoming goods, avoiding overloads and determining shipping weights.



SCALE TRUCK GS/P

The GS/P pallet truck is an intelligent and robust tool to be used for weighing and transporting your loads at the same time, making stock and dispatch processes faster, simpler and more efficient. The machine can be equipped with supplements such as printer or USB and thanks to the 4 load cells it is able to be very precise and functional; ideal for checking incoming goods, avoiding overloads and determining shipping weights.



DISPLAY

Its large-sized 6 digits LCD display provides accurate and precise weighing in kg and lb. Its software allows not only net/gross/tare weighing but also unit counting, adding and totalling of multiple loads. Weights are shown in 1 kg/lb steps with 0,05% precision.



FRAME STRUCTURE

The structure is designed with a double frame consisting of a lower fork on which stands a counter fork. Both forks house two load cells allowing a uniform load distribution, and keeping high weighing accuracy even in case of collision and unbalanced load.



BATTERY and BATTERY CHARGER

The GS/P is supplied complete with rechargeable battery and charger. The battery module provides 50 hours autonomy.



PRINTER / USB

(Supplement , only available at time of order)

As supplement, the machine can be equipped with a built-in printer, able to print gross, tare and net weights (kg or lb), date, quantity of pieces on the scale.

It may also be enriched with another supplement, the USB, allowing you to store weighing data in a text file, for archiving and processing via PC.



AGILE PLUS

The AGILE PLUS is equipped with a Li-ION powerful BATTERY 36V 12,8Ah and the ON BOARD COMPUTER with OLED display that supplies operator several information and the possibility to regulate the maximum travelling speed from 3,2 to 5,3 Km/h, adapting thus the operator experience to the specific application.



DOUBLE TRACTION WHEEL

The first pallet truck with two traction/steering wheels in the market. The big diameter (200mm) and tread (160mm) provide great stability without the needs of stabilizers. Non-marking rubbers grant great traction and comfortable usage on all applications.



LI-ION BATTERY

Long life 36V battery easy to remove for charging and continuous operation with the spare battery.

Two types of charger available (bench and wall mounted) with standard and fast charging time.



HIGH SPEED

The two motorwheels grant high performances and make the AGILE the fastest of the category. The AC technology and the soft non-marking rubbers make the AGILE an extremely quiet unit.



ELECTRIC / MANUAL SWITCH

The AGILE is equipped with a MANUAL SWITCH that can be used in the eventual case of low battery; electro brakes are released and the small friction created makes the AGILE as reliable as a standard pallet truck.

On order to move the unit in narrow space AGILE is equipped with TURTLE SWITCH to allow for operation with the tiller in vertical position on reduced speed.



ON-BOARD COMPUTER

Front OLED display with 6 selectable screens provides valuable info on truck activity and allows performance setup:

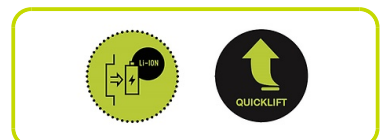
Pressing the central SCROLL button, operator can get information on:

- Battery status of charge (% of charge)
- Timers (total and partial in h)
- Odometer (total and partial in km)
- Speed setting (% of max speed)
- Diagnostic
- Error page



OPTIONS

- Quicklift hydraulic pump to lift the pallet in just two strokes
- Additional battery for continuous use
- Fast charging battery charger



Description

1.1 Manufacturer			LIFTER
1.3 Drive			Electric
Lift			Manual
1.4 Operator type			Pedestrian
1.5 Load capacity	Q	Kg	1200
1.6 Load centre distance	c	mm	600
1.8 Load axle to end forks	x	mm	975,5
1.9 Wheel base	y	mm	1250

Weights

2.1 Service weight (battery included)		Kg	128
2.2 Axle load, laden rear		Kg	884
2.2 Axle load, laden front		Kg	444
2.3 Axle load, unladen front		Kg	83
2.3 Axle load, unladen rear		Kg	45

Tyres/Chassis

3.1 Tyres: front wheels			RUBBER
3.1 Tyres: rear wheels			POLY
3.2 Tyre size: Steering wheels - Width		mm	40
3.2 Tyre size: Steering wheels - Diameter		mm	200
3.3 Tyre size: Load rollers - Diameter		mm	82
3.3 Tyre size: Load rollers - Width		mm	60
3.5 Tyre size: rear wheels - Q.ty (X=driven)		nr	4
3.5 Tyre size: front wheels - Q.ty (X=driven)		nr	2x
3.5 Rear balancing axle			No
3.6 Tread, front	b10	mm	162
3.7 Tread, rear	b11	mm	375

Dimensions

4.4 Lift height	h3	mm	115
4.9 Height of tiller in drive position max	h14	mm	1185
4.9 Height of tiller in drive position min	h14	mm	710
4.15 Height, lowered	h13	mm	90
4.19 Overall length	l1	mm	1660
4.20 Length to face of forks	l2	mm	473
4.21 Overall width	b1	mm	555
4.22 Fork dimensions - Thickness	s	mm	60
4.22 Fork dimensions - Width	e	mm	180
4.22 Fork dimensions - Length	l	mm	1185
4.25 Distance between fork arms	b5	mm	555
4.32 Ground clearance, centre of wheelbase	m2	mm	30
4.34 Aisle width	Ast	mm	2109
4.35 Turning radius	Wa	mm	1450

Performance data

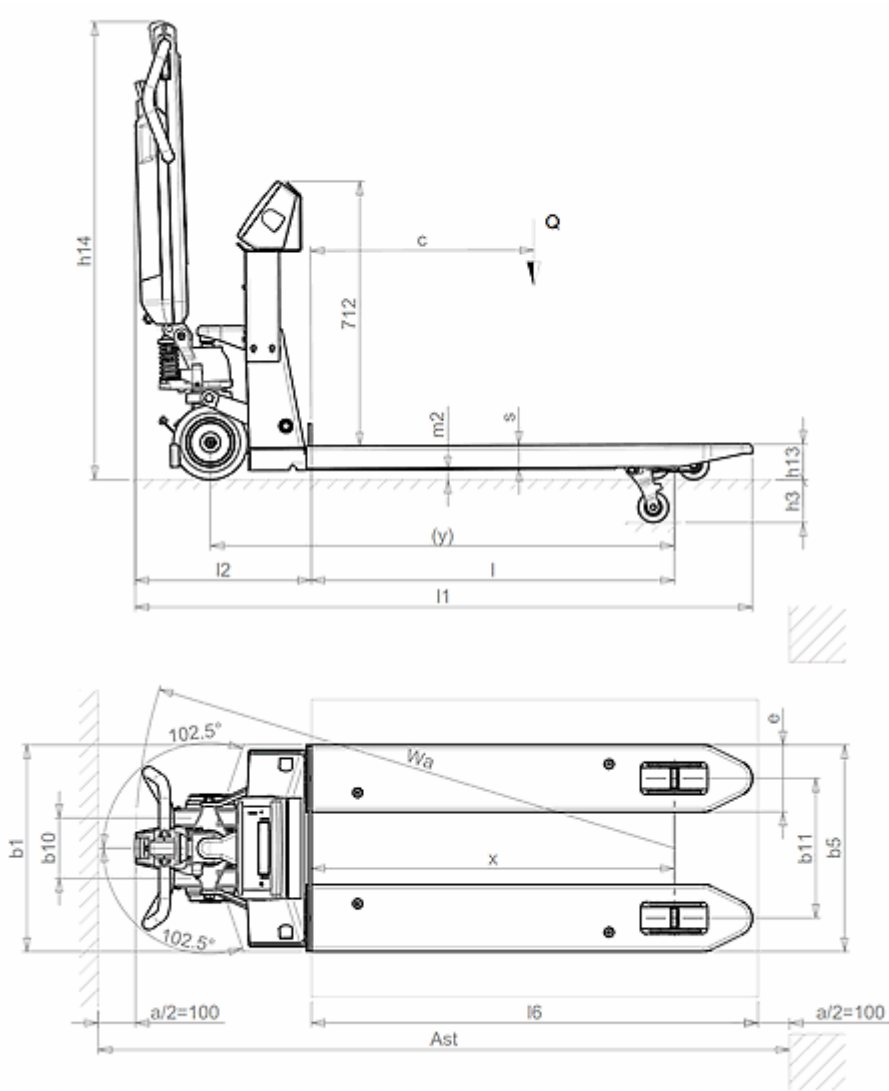
5.1 Travel speed laden	Km/h	4,2
5.1 Travel speed unladen	Km/h	5,3
5.2 Lifting speed laden	strokes	12
5.2 Lifting speed unladen	strokes	12
5.3 Lowering speed laden	m/s	0,1
5.3 Lowering speed unladen	m/s	0,02
5.8 Max gradeability unladen	%	5/10

Electric motors

6.1 Drive motor power	kW	2x0,25
6.4 Battery voltage	V	36
6.4 Battery capacity, Min	Ah	12,8
6.4 Battery capacity, Max	Ah	12,8
6.5 Battery weight, Max	Kg	3

Scale

Digits	Q.ty	6
Digit height	mm	25
Kilograms		Yes
Lbs		Yes
Tare		Yes
Auto-off		Yes
Totalization		Yes
Counting		Yes
Operating time	h	50
Accuracy	%	0.05
Shear-beam load cells	Q.ty	4
Division	Kg	0.5
6.4 Battery voltage	V	6
6.4 Battery capacity	Ah	4



The information is aligned with the Data file at the time of download. Printed on 23/07/2021 (ID 11905)

©2021 | PR INDUSTRIAL s.r.l. | All rights reserved | Image shown may not reflect actual package. Specifications subject to change without notice

