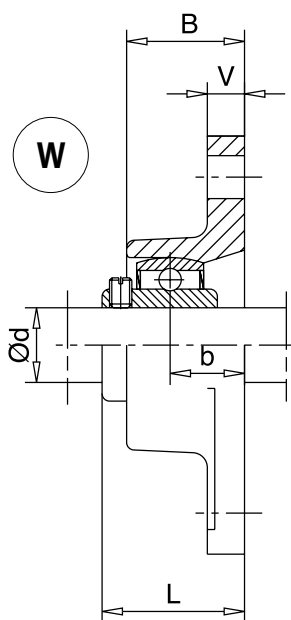


Accessories

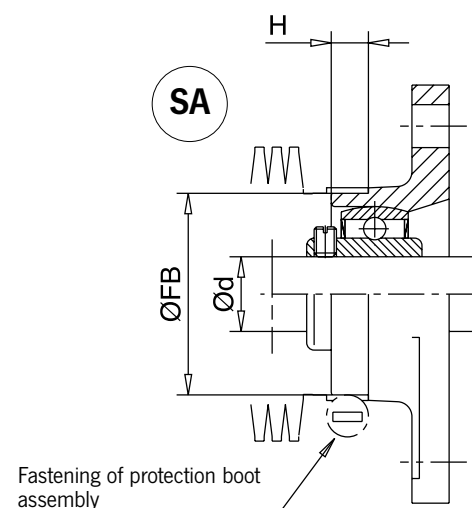
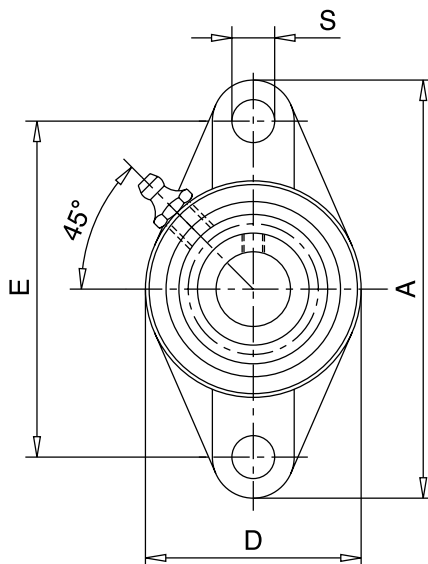
Flange bearings

Technical drawings: Flange bearings

Flange bearings, complete with maintenance-free roller bearing from Pfaff-silberblau, are particularly suitable for radial bearing of the screw for type 2 screw jacks.



W = Standard



SA = with centering shoulder

Dimensions: Flange bearings

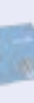
Size	Dimensions [mm]											Weight [kg]
	d	D	B	E	A	V	S	L	H*	Ø FB*	b	
OWF 12 U	12	60	25,5	90	113	11	12	33,3	12	55	15	0,49
OWF 15 U	15											
OWF 20 U	20											
OWF 25 U	25	68	27	99	130	13	16	35,7	12	65	16	0,63
OWF 30 U	30	80	31	117	148	13	16	40,2	15	75	18	0,94
OWF 35 U	35	90	34	130	161	14	16	44,4	15	85	19	1,2
OWF 40 U	40	100	36	144	175	14	16	51,2	15	95	21	1,6
OWF 45 U	45	108	38	148	188	15	19	52,2	15	100	22	1,9
OWF 50 U	50	115	40	157	197	15	19	54,6	15	110	22	2,2
OWF 60 U	60	140	48	202	250	18	23	68,7	25	135	29	4,1
OWF 80 U	80	180	59	233	290	20	25	84,3	25	175	35	7,9

* Flange bearings of the type "SA" have a centering shoulder Ø FB for customer mounting of a protection boot.

A



B



C

D