

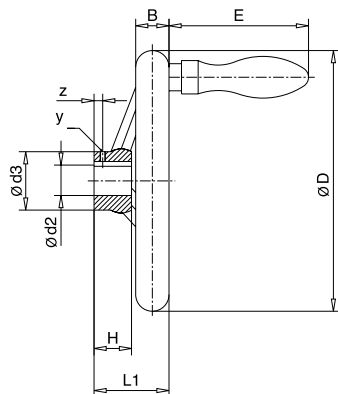
Accessories

Hand wheel and lubrication device

Technical drawing: Hand wheel

The hand wheel is designed for manual emergency operation or manual adjustment of worm gear screw jacks. Design: hand wheel according to DIN 950 with rotating ball handle (DIN 98) made of polished and anodised aluminium.

When ordering, please specify the hand wheel diameter and size (e.g.: HSE 32)



Dimensions: Hand wheel

Size	ØD	Ød2	Ød3	H	L1	B	z	y	E
SHE 0,5	80	10	24	16	29	14	6	M3	55
M 1									
SHE 1.1	125	14	28	18	36	16	9	M4	70
HSE 32									
HSE 36.1									
M 2	160	16	32	20	40	18	9	M4	70
SHE 3.1									
HSE 50.1									
M 3	225	20	42	26	48	24	9	M4	88
SHE 5.1									
HSE 63.1									
M 4	280	25	50	30	53	26	10	M6	110
SHE 15.1									
HSE 80.1									
M 5	400	30	65	38	63	32	10	M6	125
SHE 20.1									
HSE 100.1									

Further versions on request

Technical drawing: Automatic lubricators

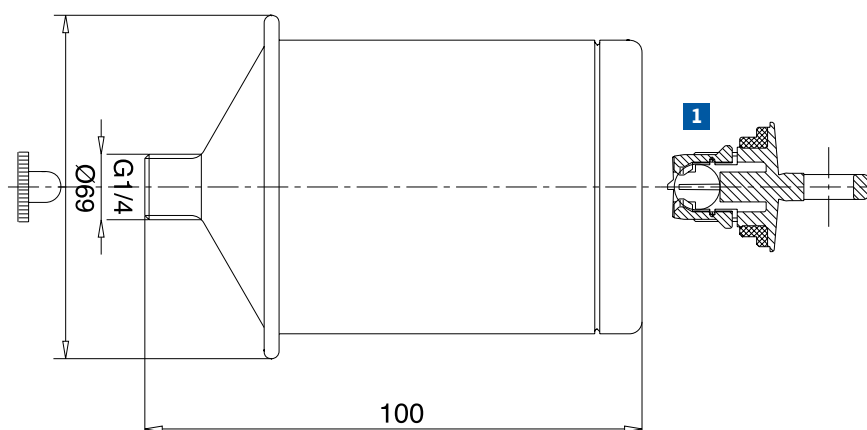
Automatic lubricators are filled with high-quality grease and provide continuous lubrication of the screw jack and worm gear for up to 12 months. This makes them an economical solution for reducing maintenance intervals.

Color activation screw

Color 1	Dispensing time
yellow	1 month
green	3 months
red	6 months
grey	12 months

Technical information:

- Metal housing
- Drive provided by electrochemical reaction
- At 20 °C, running times of 1, 3, 6 and 12 months are possible (the color of the activation screw **1** denotes the dispensing time)
- 120 cm³ volume
- Maximum compression accumulation of 4 bar
- Operating temperatures ranging from 0 °C up to a maximum of +40 °C are possible



A



B



C



D