

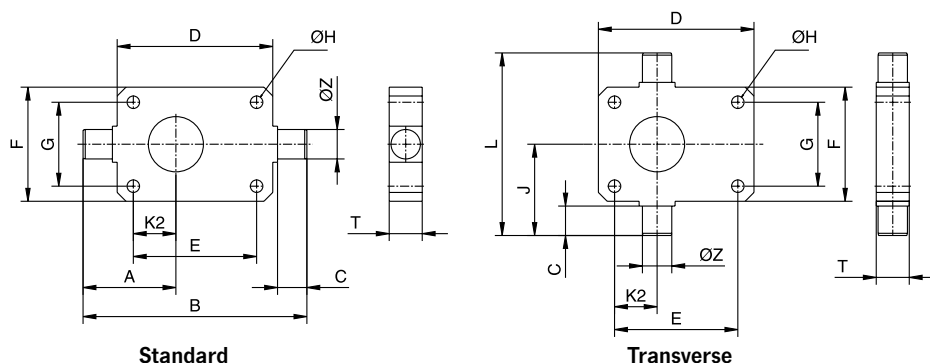
Accessories

Swivel plates

Technical drawings: Swivel plates

In order to allow worm gear screw jacks to carry out swiveling and tipping movements, the drive elements must be secured at two points and permitted to move. This can be done using swivel plates

and a head IV or articulated head. The bending moment resulting from the swiveling motion should be minimized as much as possible by means of low-friction articulations.



Dimensions: Swivel plates

SHE range

Size	A	B	C	D	E	F	G	ØH	J	K2	L	T	ØZ	Load max. Standard	Load max. Transverse
0,5	on request														
1.1	95,5	205	25	150	130	100	80	8,5	77,5	58	155	25	20	15 kN	15 kN
3.1	102,5	240	35	165	135	120	90	13	97,5	50	195	35	30	30 kN	30 kN
5.1	126,5	305	45	212	168	155	114	17	124	58	248	45	40	50 kN	50 kN
10	143,5	350	55	235	190	200	155	21	157,5	63,5	315	55	50	80 kN	100 kN
15.1	143,5	350	55	235	190	200	155	21	157,5	63,5	315	55	50	80 kN	100 kN
20.1	190	430	65	295	240	215	160	28	175	95	350	65	60	200 kN	160 kN
25	202,5	495	70	350	280	260	190	35	202,5	95	405	70	65	220 kN	250 kN
35 / 50.1 / 75 / 100.1 / 150.1	on request														

MERKUR range

Size	A	B	C	D	E	F	G	ØH	J	K2	L	T	ØZ		
0	34,5	85	10	60	48	50	38	6,6	37,5	16	75	15	10		
1	48,5	115	15	80	60	72	52	9	53,5	21	107	20	15		
2	62,5	145	20	100	78	85	63	9	65	29	130	25	20		
3	76,5	175	20	130	106	105	81	11	75	42	150	30	25		
4	110,5	245	30	180	150	145	115	13,5	105	63	210	40	35		
5	120,5	275	35	200	166	165	131	22	120	66	240	50	45		
6 / 7 / 8	on request														

HSE range

Size	A	B	C	D	E	F	G	ØH	J	K2	L	T	ØZ	Load max. Standard	Load max. Transverse
32	on request														
36.1	80	190	25	138	110	105	80	9	78,5	40	157	25	20	10 kN	10 kN
50.1	105	250	35	175	140	130	100	13	102,5	50	205	35	30	25 kN	25 kN
63.1	140	330	45	235	190	160	120	17	127,5	70	255	45	40	50 kN	50 kN
80.1	160	390	55	275	220	200	150	21	157,5	75	315	55	50	100 kN	100 kN
100.1	185	465	65	330	270	230	175	28	182,5	87,5	365	65	60	110 kN	110 kN
125.1	227,5	565	75	410	330	300	230	39	-	110	-	80	75	230 kN	-
140 / 200.1	on request														

A



B



C



D