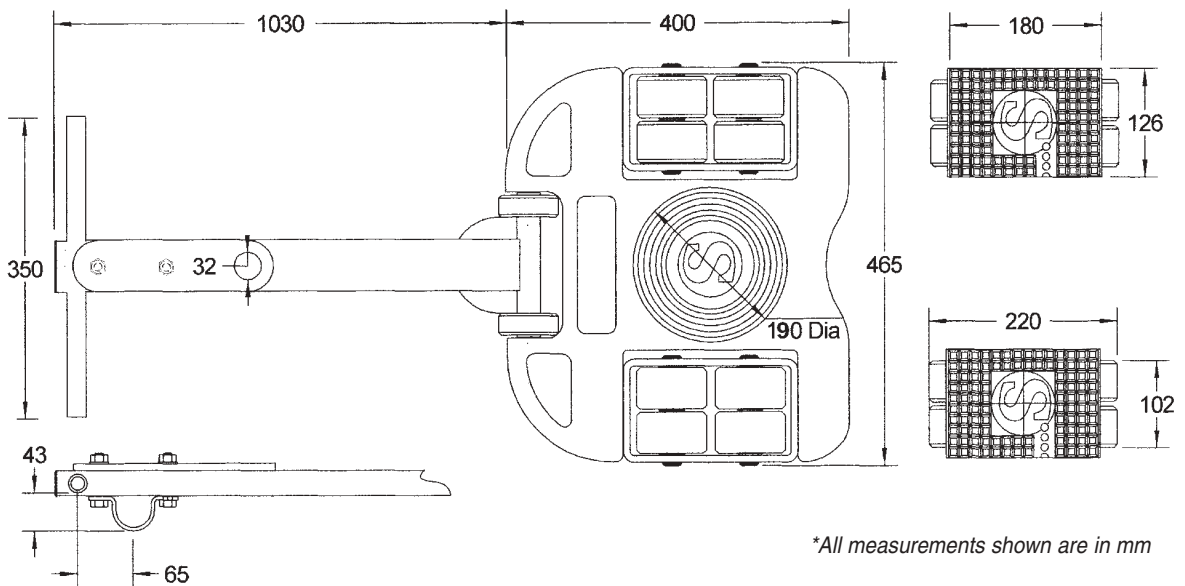


TECHNICAL SPECIFICATION

Model: SX10

Description: 10 tonne Nylon Wheeled Skates



Model	Capacity of system (tonnes)	Colour and quantity of wheels	Size of wheels (mm)	Turntable diameter (mm)	Overall height (mm)	Rear width adjustment (mm)	Boxed weight (kgs)
SX10	10	Black x 16	82 x 48	190	102	252 to 1200	54

“Moving Loads the Professional Way!”