

Item	Part No.	Description
1	G2000I.V2-01	Cylinder head Gasket
2	G2000I.V2-02	Cylinder Head
3	G2000I.V2-03	Pin
4	G2000I.V2-04	Stud
5	G2000I.V2-05	Stud
6	G2000I.V2-06	Spark Plug (A7TRC)
7	G2000I.V2-07	Cylinder Head Bolt

Item	Part No.	Description
8	G2000I.V2-08	Cylinder Head Cover Gasket
9	G2000I.V2-09	Breath Plate
10	G2000I.V2-10	Breath Groove Gasket
11	G2000I.V2-11	Cylinder Head Cover
12	G2000I.V2-12	Bolt
13	G2000I.V2-13	Bolt
14	G2000I.V2-14	Breather Tube

**NOTE:** It is our policy to continually improve products and as such we reserve the right to alter data, specifications and component parts without prior notice. There may be alternative versions of this product, please contact us should you require this information.

**IMPORTANT:** No liability is accepted for incorrect use of product. Spare parts must be fitted by a competent person

**WARRANTY:** Guarantee is 12 months from purchase date, proof of which will be required for any claim.



Parts Information:  
Inverter Generator 2000W 230V 4-Stroke  
Engine  
Model No: G2000I.V2

Item	Part No.	Description
15	G2000I.V2-15	Crankcase
16	G2000I.V2-16	Oil Seal 19.4mm ID
17	G2000I.V2-17	Bearing
18	G2000I.V2-18	Crankcase Gasket
19	G2000I.V2-19	Pin
20	G2000I.V2-20	Oil Dipstick
21	G2000I.V2-21	Crankcase Cover
22	G2000I.V2-22	Bolt
23	G2000I.V2-23	Crankshaft Assy
24	G2000I.V2-24	Connecting Rod
25	G2000I.V2-25	Piston
26	G2000I.V2-26	Piston Pin Clip
27	G2000I.V2-27	Piston Pin
28	G2000I.V2-28	Piston Ring Assy
29	G2000I.V2-29	Camshaft Assy
30	G2000I.V2-30	Valve Tappet
31	G2000I.V2-31	Valve
32	G2000I.V2-32	Valve Rocker
33	G2000I.V2-33	Spring
34	G2000I.V2-34	Valve Spring Seat
35	G2000I.V2-35	Valve Rocker Shaft
36	G2000I.V2-36	Seal Guard
37	G2000I.V2-37	Valve Lifter
38	G2000I.V2-38	Recoil Starter Assy
39	G2000I.V2-39	Bolt
40	G2000I.V2-40	Bolt
41	G2000I.V2-41	Shroud Ass'y
42	G2000I.V2-41	Shroud Ass'y
43	G2000I.V2-43	Cylinder Air Shield
44	G2000I.V2-44	Limit Card
45	G2000I.V2-45	Nut

Item	Part No.	Description
46	G2000I.V2-46	Carburettor Gasket
47	G2000I.V2-47	Carburettor Insulator Plate
48	G2000I.V2-48	Carburettor Insulator Gasket
49	G2000I.V2-49	Carburettor Assy
50	G2000I.V2-50	Fuel Strainer
51	G2000I.V2-51	Air Filter
52	G2000I.V2-52	Air Filter Gasket
53	G2000I.V2-53	Air Filter Intake Duct
54	G2000I.V2-54	Nut
55	G2000I.V2-55	Muffler Side Cover
56	G2000I.V2-56	Muffler Shroud
57	G2000I.V2-57	Muffler Body
58	G2000I.V2-58	Muffler Shield
59	G2000I.V2-59	Exhaust Outlet Gasket
60	G2000I.V2-60	Nut
61	G2000I.V2-61	Muffler Shield Gasket (A)
62	G2000I.V2-62	Muffler Shield Gasket (B)
63	G2000I.V2-63	Muffler Shield Gasket (C)
64	G2000I.V2-64	Protection Film (A)
65	G2000I.V2-65	Protection Film (B)
66	G2000I.V2-66	Protection Film (C)
67	G2000I.V2-67	Flywheel Nut
68	G2000I.V2-68	Flywheel Sub Assembly
69	G2000I.V2-69	Bolt
70	G2000I.V2-70	Ignitor
71	G2000I.V2-71	Oil
72	G2000I.V2-72	Bolt
73	G2000I.V2-73	Clamp
74	G2000I.V2-74	Bolt
75	G2000I.V2-75	Ignition Coil
76	G2000I.V2-76	Bolt

**NOTE:** It is our policy to continually improve products and as such we reserve the right to alter data, specifications and component parts without prior notice. There may be alternative versions of this product, please contact us should you require this information.

**IMPORTANT:** No liability is accepted for incorrect use of product. Spare parts must be fitted by a competent person

**WARRANTY:** Guarantee is 12 months from purchase date, proof of which will be required for any claim.

Sealey Group, Kempson Way, Suffolk Business Park, Bury St Edmunds, Suffolk. IP32 7AR



01284 757500



01284 703534

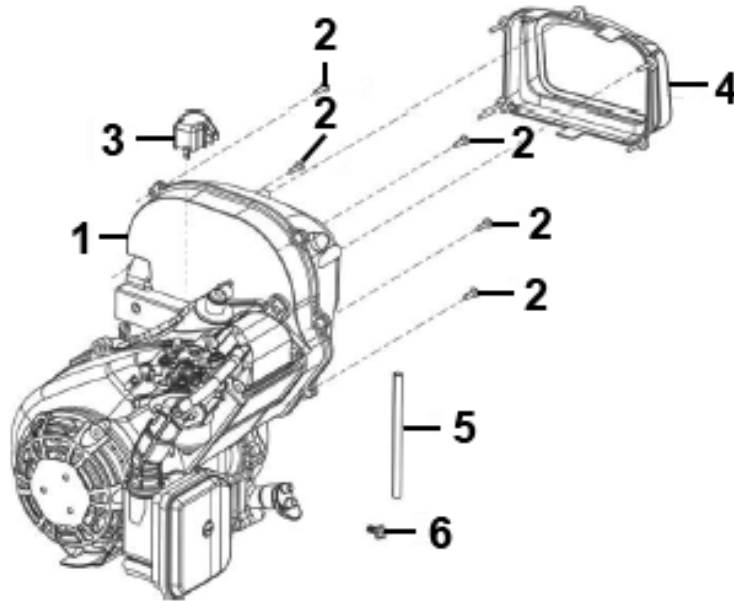


sales@sealey.co.uk



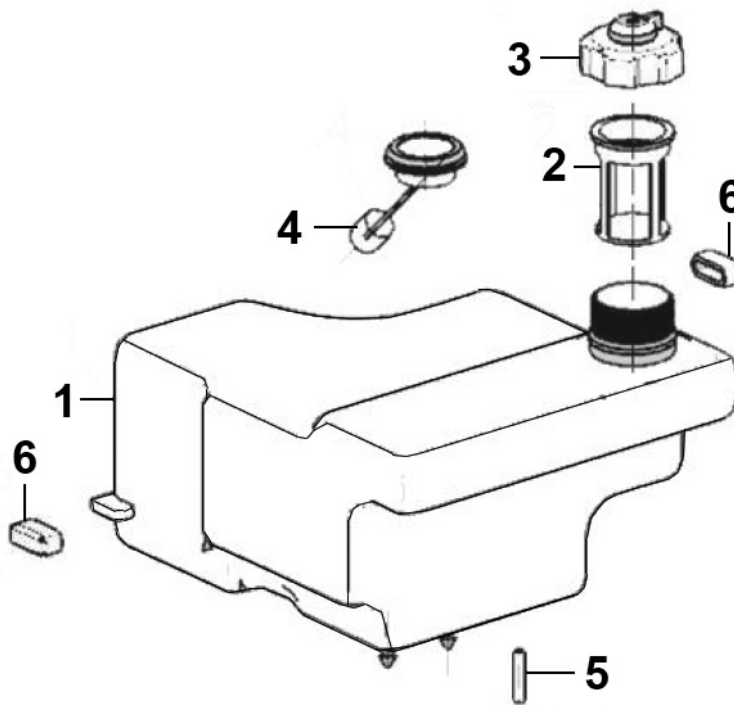
www.sealey.co.uk

Parts Information:  
**Inverter Generator 2000W 230V 4-Stroke  
 Engine**  
**Model No: G2000I.V2**



Item	Part No.	Description
1	G2000IV2.01-1	Engine
2	G2000IV2.01-2	Tapping Screw
3	G2000IV2.01-3	Cap

Item	Part No.	Description
4	G2000IV2.01-4	Muffler Cover
5	G2000IV2.01-5	Fuel Pipe
6	G2000IV2.01-6	Flange Bolt



Item	Part No.	Description
1	G2000IV2.02-1	Fuel Tank Assy
2	G2000IV2.02-2	Fuel Filter
3	G2000IV2.02-3	Fuel Cap

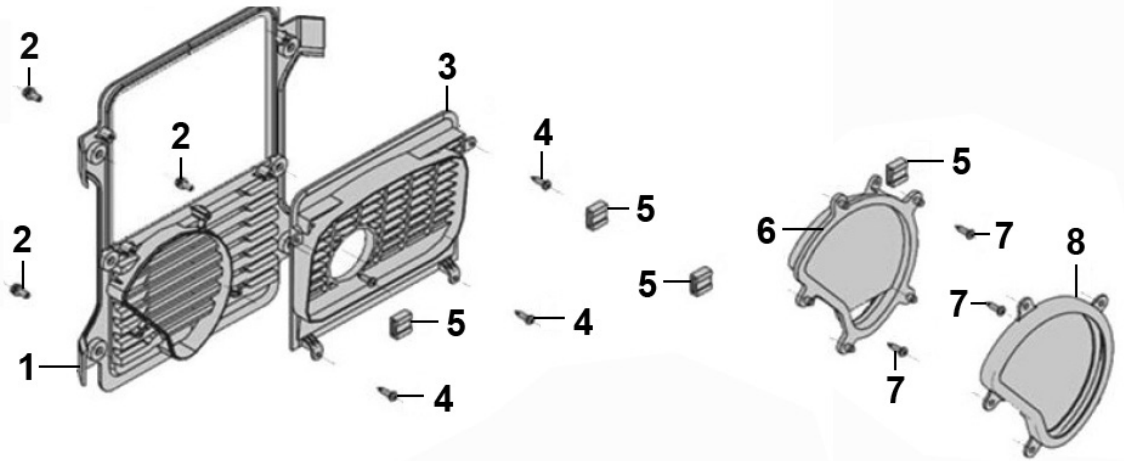
Item	Part No.	Description
4	G2000IV2.02-4	Fuel Level Gauge
5	G2000IV2.02-5	Filter Element
6	G2000IV2.02-6	Rubber Stop

**NOTE:** It is our policy to continually improve products and as such we reserve the right to alter data, specifications and component parts without prior notice. There may be alternative versions of this product, please contact us should you require this information.

**IMPORTANT:** No liability is accepted for incorrect use of product. Spare parts must be fitted by a competent person

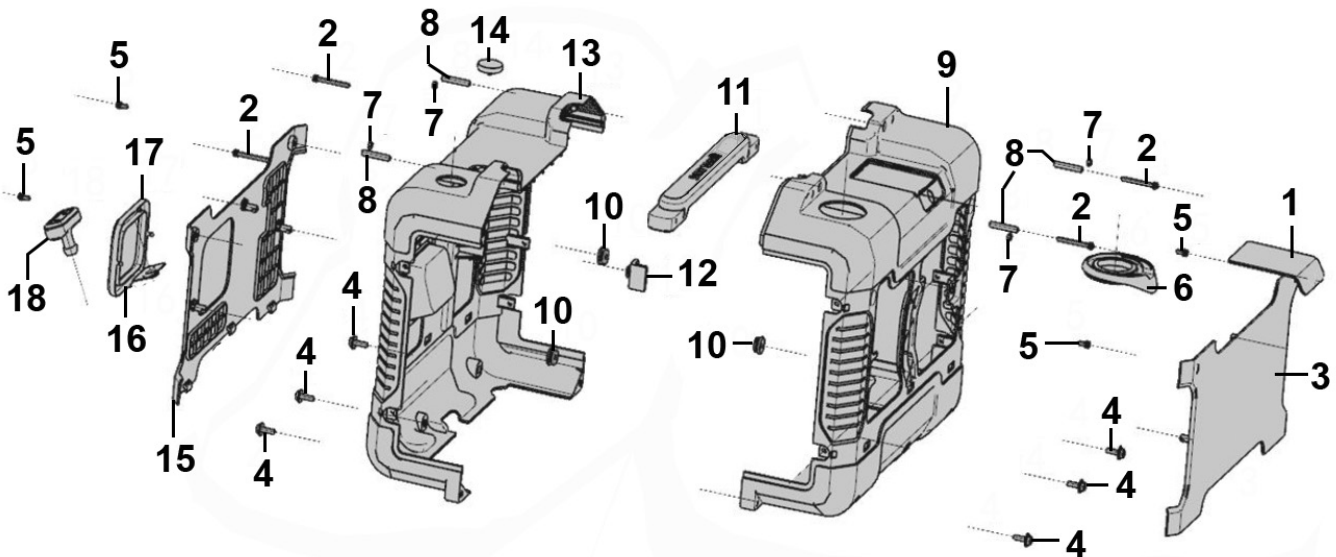
**WARRANTY:** Guarantee is 12 months from purchase date, proof of which will be required for any claim.

Parts Information:  
**Inverter Generator 2000W 230V 4-Stroke Engine**  
**Model No: G2000I.V2**



Item	Part No.	Description
1	G2000IV2.03-1	Muffler Cover Support
2	G2000IV2.03-2	Cross pan Bolts
3	G2000IV2.03-3	Muffler Cover
4	G2000IV2.03-4	Tapping Screw

Item	Part No.	Description
5	G2000IV2.03-5	Clip Nut
6	G2000IV2.03-6	Alternator Cover
7	G2000IV2.03-7	Tapping Screw
8	G2000IV2.03-8	Rubber Part



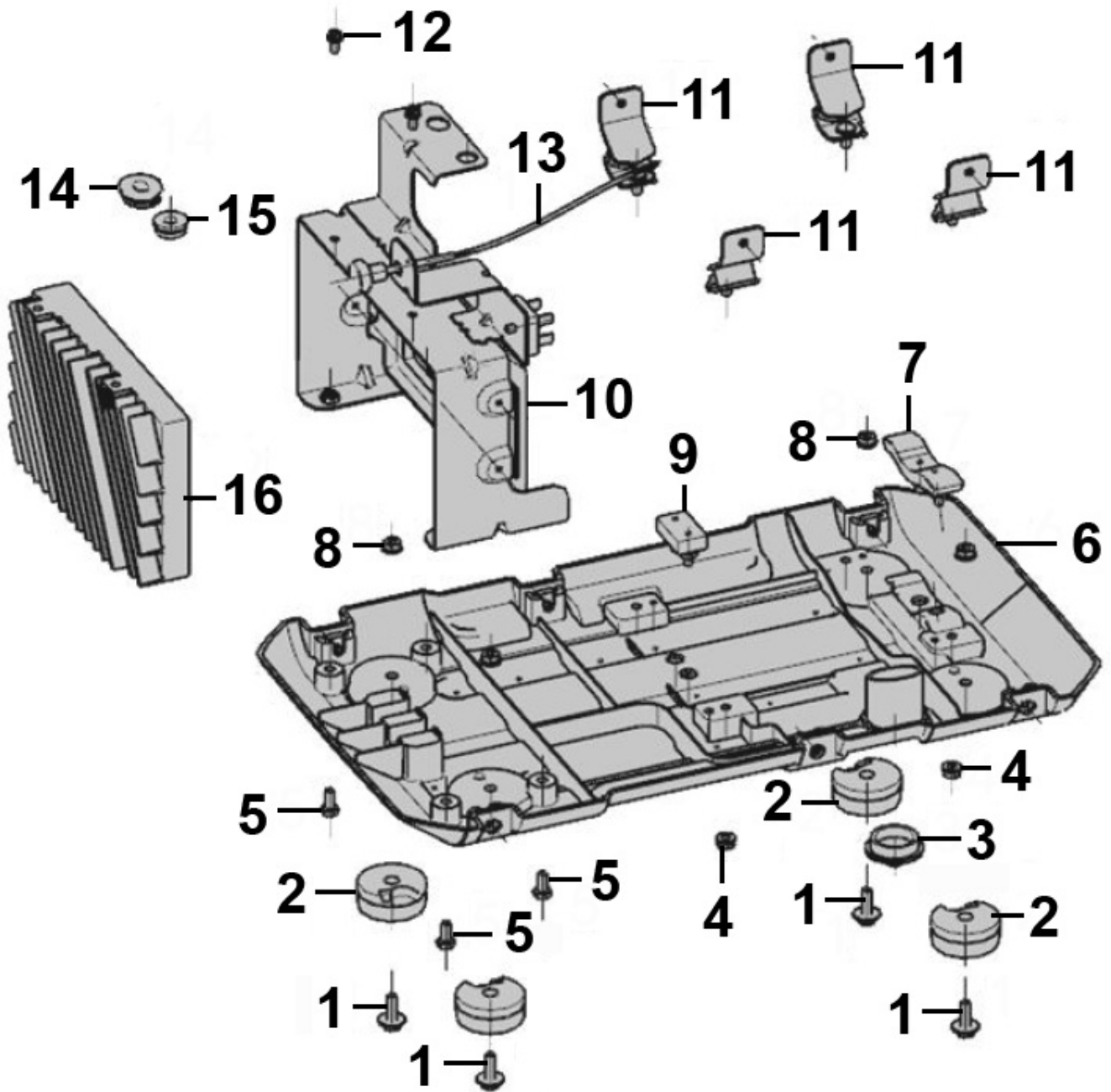
Item	Part No.	Description
1	G2000IV2.04-1	Spark Plug Cover
2	G2000IV2.04-2	Assembled Bolt
3	G2000IV2.04-3	Back Panel
4	G2000IV2.04-4	Flange Bolt M6x20
5	G2000IV2.04-5	Flange Bolt M6x10
6	G2000IV2.04-6	Rubber Part
7	G2000IV2.04-7	Nut M5
8	G2000IV2.04-8	Bushing
9	G2000IV2.04-9	Back Housing

Item	Part No.	Description
10	G2000IV2.0515	Rubber Stop
11	G2000IV2.0411	Handle
12	G2000IV2.0412	Rubber Stop
13	G2000IV2.0413	Front Housing
14	G2000IV2.0414	Viewing Mirror
15	G2000IV2.0415	Front Board
16	G2000IV2.0416	Recoil Baffle
17	G2000IV2.0417	Frame
18	G2000IV2.0418	Recoil Handle

**NOTE:** It is our policy to continually improve products and as such we reserve the right to alter data, specifications and component parts without prior notice. There may be alternative versions of this product, please contact us should you require this information.

**IMPORTANT:** No liability is accepted for incorrect use of product. Spare parts must be fitted by a competent person

**WARRANTY:** Guarantee is 12 months from purchase date, proof of which will be required for any claim.



Item	Part No.	Description
1	G2000IV2.05-1	Screw M6x18
2	G2000IV2.05-2	Rubber Foot
3	G2000IV2.05-3	Rubber Protection
4	G2000IV2.05-4	Flange Nut M6
5	G2000IV2.05-5	Bolt M5x15
6	G2000IV2.05-6	Base
7	G2000IV2.05-7	Rubber Part
8	G2000IV2.05-8	Flange Nut M6

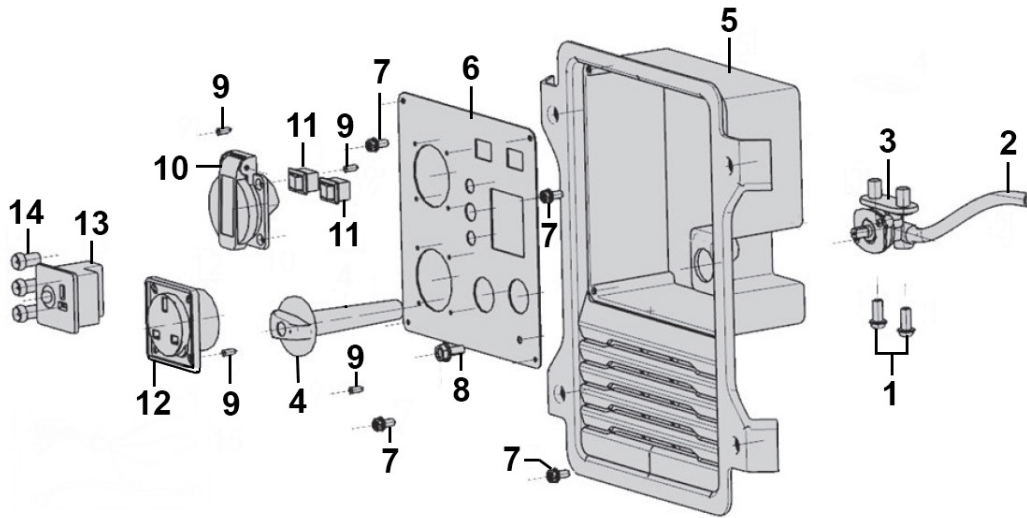
Item	Part No.	Description
9	G2000IV2.05-9	Rubber Part
10	G2000IV2.0510	Bottom Support
11	G2000IV2.0511	Shock Absorber Foot
12	G2000IV2.0512	Screw M6x18
13	G2000IV2.0513	Throttle Cable
14	G2000IV2.0514	Rubber Stop
15	G2000IV2.0515	Rubber Stop
16	G2000IV2.0516	Inverter Unit

**NOTE:** It is our policy to continually improve products and as such we reserve the right to alter data, specifications and component parts without prior notice. There may be alternative versions of this product, please contact us should you require this information.

**IMPORTANT:** No liability is accepted for incorrect use of product. Spare parts must be fitted by a competent person

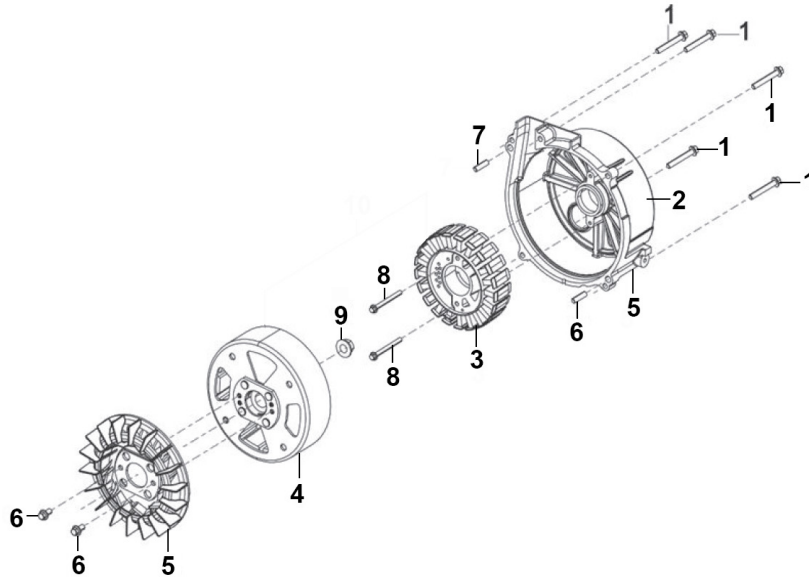
**WARRANTY:** Guarantee is 12 months from purchase date, proof of which will be required for any claim.

## Parts Information: Inverter Generator 2000W 230V 4-Stroke Engine Model No: G2000IV2



Item	Part No.	Description
1	G2000IV2.06-1	Cross Bolt
2	G2000IV2.06-2	Fuel Pipe
3	G2000IV2.06-3	Fuel Cut Out/In Switch Valve
4	G2000IV2.06-4	Fuel Switch Knob
5	G2000IV2.06-5	Panel Housing
6	G2000IV2.06-6	Control Panel
7	G2000IV2.06-7	Cross Screw

Item	Part No.	Description
8	G2000IV2.06-8	Cross Screw
9	G2000IV2.06-9	Tapping Screw
10	G2000IV2.0610	Socket
11	G2000IV2.0611	Switch, Rocker (Black) 6A/250V
12	G2000IV2.0612	Socket (3-Pin)
13	G2000IV2.0613	DC Socket Charger
14	G2000IV2.0614	Pilot Light



Item	Part No.	Description
1	G2000IV2.07-1	Flange Bolt
2	G2000IV2.07-2	Alternator Cover
3	G2000IV2.07-3	Stator Assy
4	G2000IV2.07-4	Rotator Assy
5	G2000IV2.07-5	Engine Impeller

Item	Part No.	Description
6	G2000IV2.07-6	Flange Bolt
7	G2000IV2.07-7	Pin
8	G2000IV2.07-8	Flange Bolt
9	G2000IV2.07-9	Flange Nut

**NOTE:** It is our policy to continually improve products and as such we reserve the right to alter data, specifications and component parts without prior notice. There may be alternative versions of this product, please contact us should you require this information.

**IMPORTANT:** No liability is accepted for incorrect use of product. Spare parts must be fitted by a competent person

**WARRANTY:** Guarantee is 12 months from purchase date, proof of which will be required for any claim.