



3500W INVERTER GENERATOR 230V

4-STROKE ENGINE

MODEL NO: **G3500I**

Thank you for purchasing a Sealey product. Manufactured to a high standard, this product will, if used according to these instructions, and properly maintained, give you years of trouble free performance.

IMPORTANT: PLEASE READ THESE INSTRUCTIONS CAREFULLY. NOTE THE SAFE OPERATIONAL REQUIREMENTS, WARNINGS & CAUTIONS. USE THE PRODUCT CORRECTLY AND WITH CARE FOR THE PURPOSE FOR WHICH IT IS INTENDED. FAILURE TO DO SO MAY CAUSE DAMAGE AND/OR PERSONAL INJURY AND WILL INVALIDATE THE WARRANTY. KEEP THESE INSTRUCTIONS SAFE FOR FUTURE USE.



Refer to instructions



Electrical shock hazard



Hot surfaces

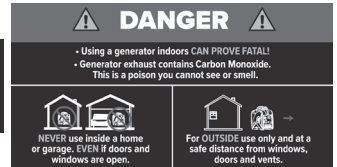


Do not cover



Risk of fire.
DO NOT add fuel while the product is in operation.

Switch off the engine before refuelling



Do not use in non ventilated area

1. SAFETY

- WARNING! THE GENERATOR IS SHIPPED WITHOUT OIL. CHECK OIL LEVEL AND FILL AS REQUIRED BEFORE USE.**
- WARNING! Ensure any Health & Safety, Government, or local authority regulations are adhered to when using this equipment.**
- ✓ Familiarise yourself with the application and limitations, as well as the potential hazards, of the generator.
- ✓ Maintain the generator in good condition (use an authorised service agent). Replace or repair damaged parts. Use genuine parts only. Unauthorised parts may be dangerous and will invalidate the warranty.
- ✓ This generator is designed and manufactured for specific applications. **DO NOT** attempt to modify the unit or use it for any application for which it is not designed. If you have any questions regarding the application of the unit please contact your local Sealey stockist.
- WARNING! DO NOT** exceed the Wattage/Amperage capacity of the generator. Add rated wattage of all devices intended for connection at any one time, the total must not exceed rated wattage of generator (see specifications).
- WARNING!** Generator exhaust gases contain deadly carbon monoxide which must not be inhaled. Always allow sufficient ventilation.
- WARNING!** Engine exhaust gases are toxic. Do not use indoors.
- WARNING!** If you decide to use an Earth Leakage Circuit Breaker (also referred to as an RCD or Ground Fault Circuit Interrupter), it is imperative that the neutral end of the power winding is connected to the frame of the generator set and that the earth lug on the frame is connected with a low impedance connector to the local earth via an earth spike or local protective earth conductor. This connection should only be attempted by a qualified electrician, after first having consulted your local stockist.
- ✓ Protect children by keeping them at a safe distance from the generating set.
- ▲ **DANGER!** This generator is designed for outdoor use only. To use the generator inside any building or enclosure, including the generator compartment of a caravan, may result in fire or an explosion. No user performed modifications, including venting of the exhaust and/or cooling ventilation, will eliminate the danger.
- ▲ **DANGER!** If this unit is used for back-up power in the event of a commercial power failure, the following steps must be taken. Before connecting the generator to the electrical system, open the main circuit breaker to isolate the generator and system from the commercial electric supply. Failure to do this may result in damage to the generator and may result in serious injury or fatality, due to a back-feed of electrical energy.
- ▲ **DANGER!** The generator produces a very powerful voltage that can cause a severe electrical shock. Avoid contact with bare wires, terminals etc. Never allow any unqualified person to operate or service the generator.
- WARNING!** Petrol is highly flammable and petrol vapour is explosive. **Do not** permit smoking, naked flames, sparks or heat in the vicinity while handling petrol. Avoid spilling petrol onto a hot engine.
- ✓ Switch off engine before refuelling.
- ✓ Comply with all laws regulating storage and handling of fuels.
- WARNING!** Some parts of the internal combustion engine are hot and may cause burns. Pay attention to the warnings on the generating set.
- WARNING!** Risk of burns. **DO NOT** touch the exhaust system or the drive unit.
- WARNING! NEVER** refuel when the engine is running or when the engine is hot. Allow cool down time.
- ✓ Operate the generator only on level surfaces (maximum allowable tilt is 10°) and where it will not be exposed to excessive moisture, dirt or corrosive vapours or be in the proximity of combustible material (flammable liquids, solids or gases).
- × **DO NOT** tip or change the generator's position whilst it is operating.
- ✓ Remove ill fitting clothing, ties, watches, rings and other loose jewellery and contain long hair. Wear appropriate protective clothing.
- ✓ Keep non-essential persons and children away from the working area.
- WARNING!** Never start or stop the generator while electrical loads are connected. Start the engine, let it stabilise, then connect the electrical load. To stop engine, disconnect the electrical load and let engine stabilise before switching off.
- WARNING! DO NOT** use worn, bare, frayed or otherwise damaged electrical cables with the generator. Electric shock may occur.
- × **DO NOT** use the generator for any purpose other than that for which it is designed.
- × **DO NOT** operate the generator if any parts are missing or damaged, as this may cause failure and/or personal injury.
- × **DO NOT** over-fill fuel tank. Always leave room for fuel to expand.
- × **DO NOT** operate in the rain or damp conditions.
- ▲ **DANGER! DO NOT** tamper with the engine governed speed setting. Higher operating speeds are dangerous and increase the risk of personal injury and/or equipment damage. The generator supplies the correct rated frequencies and voltage only when running at the correct governed speed. Incorrect frequency and/or voltage can damage some connected electrical loads. Operating at excessively low speeds may result in shortened engine life. Over-speeding will invalidate the warranty.
- × **DO NOT** operate the generator when you are tired, or under the influence of alcohol, drugs or intoxicating medication.

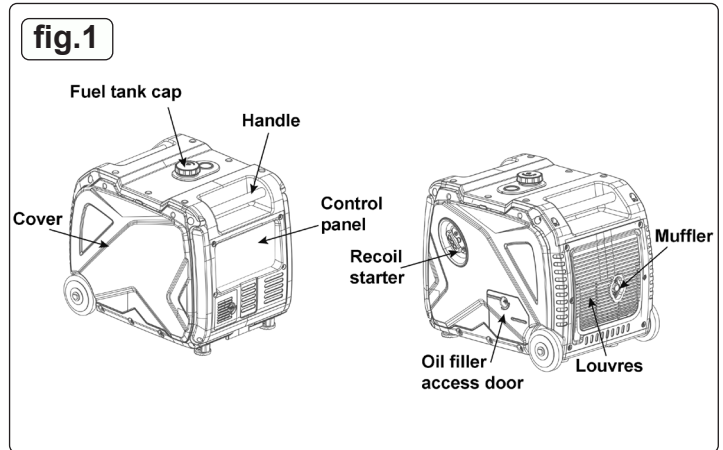
- × **DO NOT** store generator with fuel in tank where petrol vapours might reach an open flame or spark.
- ✓ The generator must be grounded with a good quality insulated conductor.
- ✓ Keep vents free from dirt etc.
- ✓ If supplying electronic equipment, or in an area where electronic equipment is being used, keep the generator a sufficient distance away to prevent electrical noise from the engine.
- ✓ Before use, the generating set and its electrical equipment (including lines and plug connections) should be checked to ensure that they are not defective.
- ✓ Generator must be earthed with a good quality insulated conductor.

2. INTRODUCTION

Digital inverter technology provides pure sine wave electric power suitable for use with sensitive electrical equipment. Easily moveable with folded handle and sturdy wheels making it portable once on site. Eco mode set-up allowing the generator to run quieter (73dB LPA), increase fuel efficiency (8L fuel tank) and reduce emissions. Features both pull cord and switch start, auto voltage adjustor, fuel gauge sensor, electric circuit protector and ESC smart control allowing the speed of the engine. Fitted with two 13A sockets, 12V DC 8.3A port and 2 USB charging ports. Supplied with tool kit to access battery, funnel, connector and clips which can charge a 12V car battery.

3. SPECIFICATION

Model No..... G35001
 Continuous Power Rating:.....3200W
 Current Rating:..... 13.9A
 Dimensions (W x D x H):..... 590 x 456 x 511mm
 Fuel Tank: 8.3L
 Fuel:.....Unleaded Petrol
 Maximum Power Rating:3.5kW
 Maximum Running Time:
Rated Load- 5±0.5hrs 50% load - 8.5±0.5hrs
 Motor Power:..... 4.1KW/3600rpm
 Motor Type: 4-Stroke Petrol
 Noise Rating: 73dB(LPA)
 Output: 230V ~ 50Hz/ 12V DC/ 5V USB



4. FEATURES

See above right

5. CONTROLS



1. AC reset
2. ESC (Engine Smart Control)
3. AC sockets
4. Parallel outlets
5. Ground (earth) terminal
6. USB
7. DC socket
8. DC breaker
9. Electric start switch
10. Switch
11. AC pilot light
12. Overload indicator
13. Oil warning light

5.1. SWITCH KNOB POSITIONS

5.1.1. **OFF:** Engine switch/fuel valve "OFF"; Ignition circuit is switched off. Fuel is switched off. The engine will not run.

5.1.2. **CHOKE/START:** Engine switch \fuel valve \ choke "ON" ; Ignition circuit is switched on. Fuel is switched on. Choke is switched on. The engine will run.

5.1.3. **RUN:** Ignition circuit is switched on. Fuel is switched on. Choke is switched off.
 Note: The choke is not required to start a warm engine.

5.2. OIL WARNING LIGHT 13

When the oil level falls below the lower level, the oil warning light 13 comes on and then the engine stops automatically. Unless the engine is topped up with oil, the engine will not start again.

Note: If the engine stalls or does not start, turn the engine switch to RUN and then pull the recoil starter.

If the oil warning light flickers for a few seconds, the engine oil is insufficient.

Add oil and restart.

5.3. OVERLOAD INDICATOR LIGHT (RED) 12

5.3.1. The overload indicator light 12 comes on when an overload of a connected electrical device is detected, the inverter control unit overheats, or the AC output voltage rises.

5.3.2. The AC protector will trip, stopping power generation in order to protect the generator and any connected electric devices. The AC pilot light 11 (Green) will go off and the overload indicator light 12 (Red) will stay on, but the engine will not stop running.

5.3.3. When the overload indicator light 12 comes on and power generation stops, proceed as follows:

Turn off any connected electric devices and stop the engine.

Reduce the total wattage of connected electric devices to within the rated output.

Check for blockages in the cooling air inlet and around the control unit. If any blockages are found, remove.

After checking, restart the engine.

Note: The overload indicator light may come on for a few seconds at first when using electric devices that require a large starting current, such as a compressor or a submersible pump. However, this is not a malfunction.

5.4. AC PILOT LIGHT 11 (GREEN)

AC pilot light comes on when the engine starts and produces power.

5.5. DC BREAKER 8

The DC breaker turns to "OFF" automatically when electric device being connected to the generator is operating and current above the rated flows.

CAUTION:

Reduce the load of the connected electric device below the specified rated output of the generator if the DC breaker turns off. If the DC breaker turns off again, stop using the device immediately and contact Sealey service.

5.6. ENGINE SMART CONTROL (ESC) 2

5.6.1. **ON:** When the ESC switch is turned to "ON", the economy control unit controls the engine speed according to the connected load. The results are better fuel consumption and less noise.

5.6.2. **OFF:** When the ESC switch is turned to "OFF", the engine runs at the rated r/min(4500r/min) regardless of whether is a load connected or not.

Note: The ESC must be turned to "OFF" when using electric devices that require a large starting current, such as a compressor or a submersible pump.

5.7. GROUND (EARTH) TERMINAL 5

Ground (Earth) terminal connects the earth line for prevention of electric shock. When the electric device is earthed, the generator must also be earthed.

5.8. PARALLEL CONNECTIONS 4

5.8.1. Two units can be connected in parallel to boost output.

6. PREPARATION

NOTE: Ensure that Safety Section of this manual is understood and complied with before using the product.

6.1. FUEL

6.1.1. Check Safety information section carefully before filling.

* **DO NOT** overfill the tank to prevent overflow due to expansion when fuel warms up.

6.1.2. Replace the cap securely after filling the tank.

NOTE: Wipe up spilled fuel immediately to prevent deterioration of painted or plastic parts.

6.1.3. UNLEADED FUEL ONLY leaded petrol will cause damage to engine's internal parts.

6.1.4. Remove tank cap and fill to red mark on the tank filter.

TANK CAPACITY 8.3L

6.2. OIL LEVEL CHECK

NOTE: The generator has been shipped without engine oil. DO NOT start the engine until filled with the sufficient engine oil.

Recommended engine oil: SAE SJ 15W-40 Recommended engine oil grade: API Service SE type or higher

Engine oil quantity: 0.5 L

6.2.1. Place the generator on a level surface.

6.2.2. Turn the oil service door knob to "OPEN" and remove, ref fig.1.

6.2.3. Unscrew the oil plug, assemble the two parts of the funnel, insert the funnel into the oil filler hole, and add the specified amount of oil.

6.2.4. Screw the oil plug, installed oil service door and keep the knob to "CLOSE".

6.3. PRE OPERATIONAL CHECKS

6.3.1. If any item in the Pre-operation check is not working properly, have it inspected and repaired before operating the generator.

NOTE: Pre-operation checks should be made each time the generator is used.

6.3.2. PRE-OPERATION CHECKS

Fuel: Check fuel level in fuel tank. Refuel if necessary.

Engine oil: Check oil level in engine. If necessary, add recommended oil to specified level.

Check generator for oil leakage.

7. OPERATION

▲ **DANGER!** Never operate the engine in a closed area or it may cause unconsciousness and death within a short time. Operate the engine in a well ventilated area.

7.1. Before starting the engine, do not connect any electric devices.

NOTE: The generator has been shipped without engine oil. Do not start the engine until filled with the sufficient engine oil.

* **DO NOT** tilt the generator when adding engine oil. This could result in overfilling and damage to the engine.

NOTE: The generator can be used with the rated output load at standard atmospheric conditions. "Standard atmospheric conditions"

Ambient temperature 25°C

Barometric pressure 100kPa

Relative humidity 30%

The output of the generator varies due to change temperature, altitude (lower air pressure at higher altitude) and humidity.

The output of the generator is reduced when the temperature, the humidity and the altitude are higher than standard atmospheric conditions.

Additionally, the load must be reduced when using in a confined areas, as generator cooling is affected.

7.2. **START ENGINE (ELECTRIC START) FIG.2**

7.2.1. Turn ESC switch to OFF.

NOTE: The choke is not required to start a warm engine.

7.2.2. Turn the switch to "CHOKE" position if engine is cold.

7.2.3. Ignition circuit is switched on.

7.2.4. Fuel is switched on.

7.2.5. Press the red electric start switch as shown in the fig.2.

7.3. **RECOIL START**

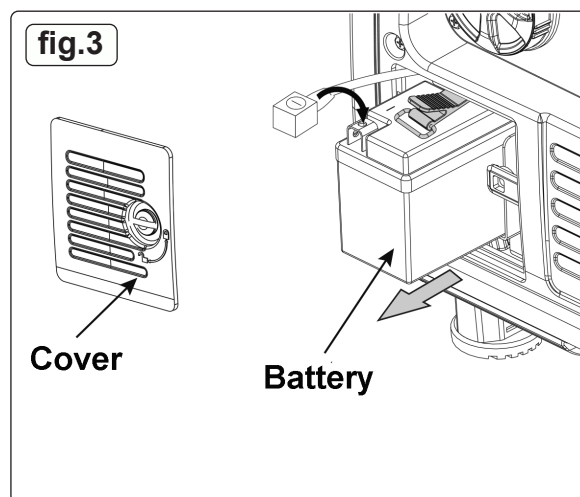
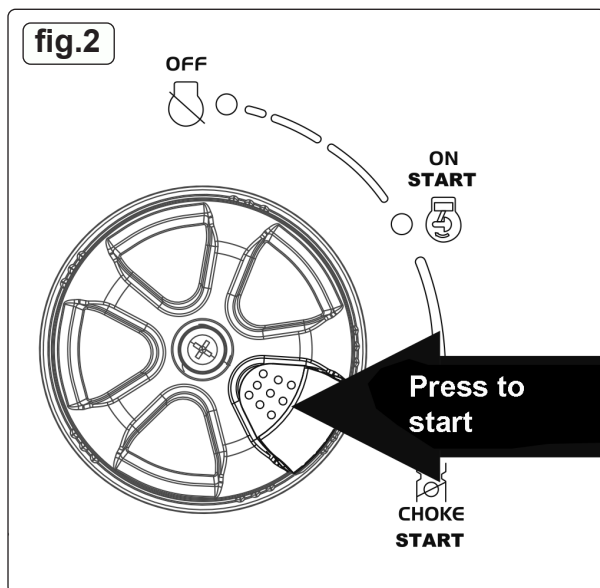
7.3.1. Follow choke instructions as above.

7.3.2. Pull slowly on the recoil starter until it is engaged, then pull it briskly.

NOTE: Grasp the carrying handle firmly to prevent the generator from falling over when pulling the recoil starter.

7.4. After the engine starts, warm up the engine until the engine does not stop when the choke knob is returned to the "ON" position.

NOTE: When starting the engine, with the ESC "ON", ensure there is no load on the generator.



7.5. **STOP ENGINE**

NOTE: Turn off any electric devices.

7.5.1. Turn the ESC to "OFF".

7.5.2. Disconnect any electric devices.

7.5.3. Turn the switch knob to "OFF". Ignition circuit is switched off. Fuel is switched off.

7.6. **ALTERNATING CURRENT (AC) CONNECTION**

7.6.1. Ensure all electric devices including the lines and plug connections are in good condition before connection to the generator.

7.6.2. Make sure the total load is within generator rated output.

7.6.3. Ensure the receptacle load current is within receptacle rated current.

NOTE: Make sure to ground (Earth) the generator. When the electric device is earthed, the generator must be earthed.

7.6.4. Start the engine.

7.6.5. Turn the ESC to "ON".

7.6.6. Plug device into AC socket.

7.6.7. Make sure the AC pilot light is on.

7.6.8. Turn on any electric devices.

NOTE: The ESC must be turned to "OFF" to increase engine speed to rated rpm. If the generator is connected to multiple loads or electricity consumers, please remember to first connect the one with the highest starting current and connect the one with the lowest starting current last.

7.7. **BATTERY CHARGING FIG.3**




7.7.1. Generator DC rated voltage is 12V.

7.7.2. Connect the negative pole of the battery first.

7.7.3. The battery will then be charged.

7.8. **APPLICATION RANGE**

7.8.1. Ensure the total load on the generator is within the rated output of the generator. Otherwise damage could occur.

AC			
Power factor	1	0.8 - 0.95	0.4 - 0.75 (efficiency 0.85)
Rated power output	≤ 3500W	≤ 2800W	≤ 1190W

7.8.2. Application wattage indicates when each device is used by itself.

7.8.3. The simultaneous usage of AC and DC power is possible but total wattage should not exceed the rated output.

Generator rated output =		3200W
Frequency	Power factor	
AC	1.0	≤ 3500W
DC	-	100W (12V / 8.3A)

7.8.4. The overload indicator light comes on when total wattage exceeds the application range.

* **DO NOT** overload. The total load of a single appliance or the total load of all electrical appliances must not exceed the supply range of the generator. Overloading will damage the generator.

7.8.5. When supplying precision equipment, electronic controllers, PCs, Electronic computers, microcomputer based equipment or battery chargers, keep the generator a sufficient distance away to prevent electrical interference from the engine. Also ensure that electrical noise from the engine does not interfere with any other electrical devices located near the generator.

7.8.6. If the generator is to supply medical equipment, advice should first be obtained from the manufacturer, a medical professional or hospital.

7.8.7. Some electrical appliances or general-purpose electric motors have High starting currents, and cannot therefore be used, even if they lie within the supply ranges given in the above table. Consult the equipment manufacturer for further advice.

8. MAINTENANCE

WARNING! Stop the engine before servicing. Put the engine on a level surface and remove the spark plug cap to prevent the engine from starting.

8.1. The engine must be properly maintained to ensure its operation be safe, economical and trouble-free, as well as eco-friendly.

8.2. In order to keep your petrol engine in good working condition, it must be periodically serviced. The following maintenance schedule and routine inspection procedures must be carefully followed:

Items		Each time	1st month or 1st 20hrs of operation	Thereafter every 3 mths or 50hrs of operation	Every year or every 100hrs of operation
Engine oil	Check refill	Yes	Yes		
	Replace			Yes	Yes
Reduction gear oil (if equipped)	Oil level check	Yes			
	Replace			Yes	Yes
Air filter element	Check	Yes	Yes		
	Clean			Yes	
	Replace				Yes
Deposit cup (if equipped)	Clean				Yes
Spark plug	Check adjust				Yes
	Replace	Every year or 250 hours of operation			
Spark arrestor	Clean			Yes	
Idling (if equipped)*	Check adjust				Yes
Valve clearance*	Check adjust				Yes
Fuel tank & fuel filter*	Clean				Yes
Fuel line	Check	Every 2 years (change if necessary)			
Cylinder head, piston	Clean off carbon*	<225cc, every 125hrs ≥225cc, every 250hrs			

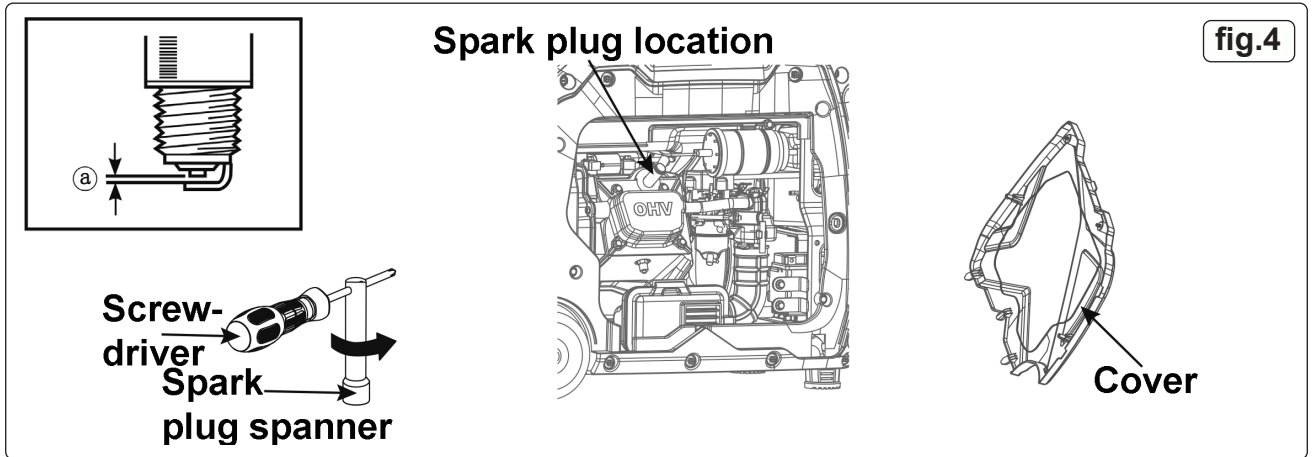
* These items should be maintained and repaired by manufacturer unless owner has appropriate knowledge, skills and training to perform them.

- 8.3. If the engine frequently works under high temperature or heavy load, change the oil every 25 hours.
- 8.4. If the engine frequently works under dusty or other severe circumstances, clean the air filter element every 10 hours; If necessary, change the air filter element every 25 hours.
- 8.5. The maintenance period and the exact time (hour), the one which comes first should govern.
- 8.6. If you have missed the scheduled time to maintain your engine, do it as soon as possible.

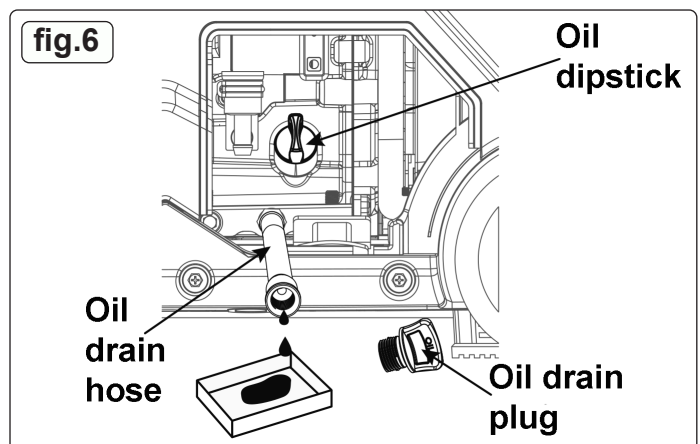
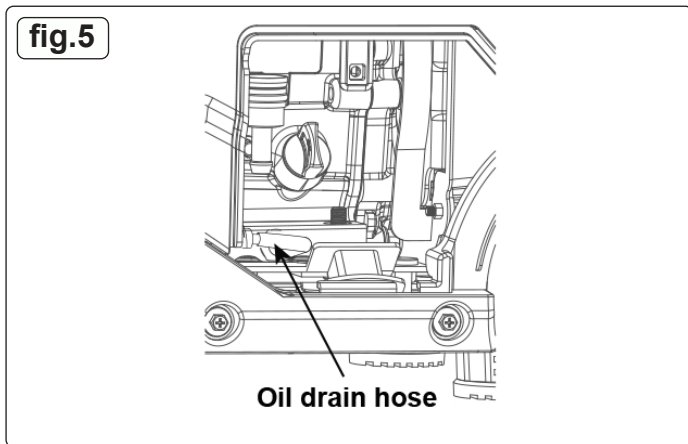
* **DO NOT** operate the engine in a poorly ventilated room or other enclosed area. Be sure to keep good ventilation in working area. The exhaust from the engine may contain poisonous CO, inhalation can cause shock, unconsciousness and even death.

8.7. **SPARK PLUG INSPECTION FIG.4**

- 8.7.1. The spark plug is an important engine component, which should be checked periodically.
- 8.7.2. Remove the cover (two screws secure the top edge).
- 8.7.3. Remove the spark plug.
- 8.7.4. Insert screwdriver shaft into the spark plug box spanner and turn anticlockwise to remove the spark plug.



- 8.7.5. Check for discolouration and remove the carbon. The porcelain insulator around the centre electrode of spark plug should be a medium-to-light tan colour.
- 8.7.6. Check the spark plug type and gap.
Standard Spark Plug: F6RTC Spark Plug Gap (a): 0.7-0.8mm. The spark plug gap should be measured with a feeler gauge and, if necessary, adjust to specification.
- 8.7.7. Install the spark plug. Spark Plug Torque: 28 N.m
NOTE: If a torque wrench is not available when installing a spark plug, a good estimate of the correct torque is 1/4-1/2 turn past finger tight. However, the spark plug should be tightened to the specified torque as soon as possible.
- 8.7.8. Install the spark plug cap and spark plug cover.
- 8.8. **CARBURETTOR ADJUSTMENT**
- 8.8.1. The carburettor is a vital part of the engine and any adjustments should be performed by properly qualified persons.
- 8.9. **ENGINE OIL REPLACEMENT FIG'S 5 & 6**
- **WARNING!** Avoid draining the engine oil immediately after stopping the engine. The oil is hot and should be handled with care to avoid burns.
- 8.9.1. Place the generator on a level surface and warm up the engine for several minutes. Stop the engine and turn the 3 in 1 switch knob, fuel tank cap air vent knob to "OFF".
- 8.9.2. Remove the cover. Remove the oil filler cap.
- 8.9.3. Place an oil pan under the engine. Tilt the generator to drain the oil completely.
- * **DO NOT** tilt the generator whilst adding oil. This could result in overfilling and damage to the engine.
- 8.9.4. Make sure no foreign material enters the crankcase.
- 8.9.5. Refit the oil filler cap, install cover and tighten screws.



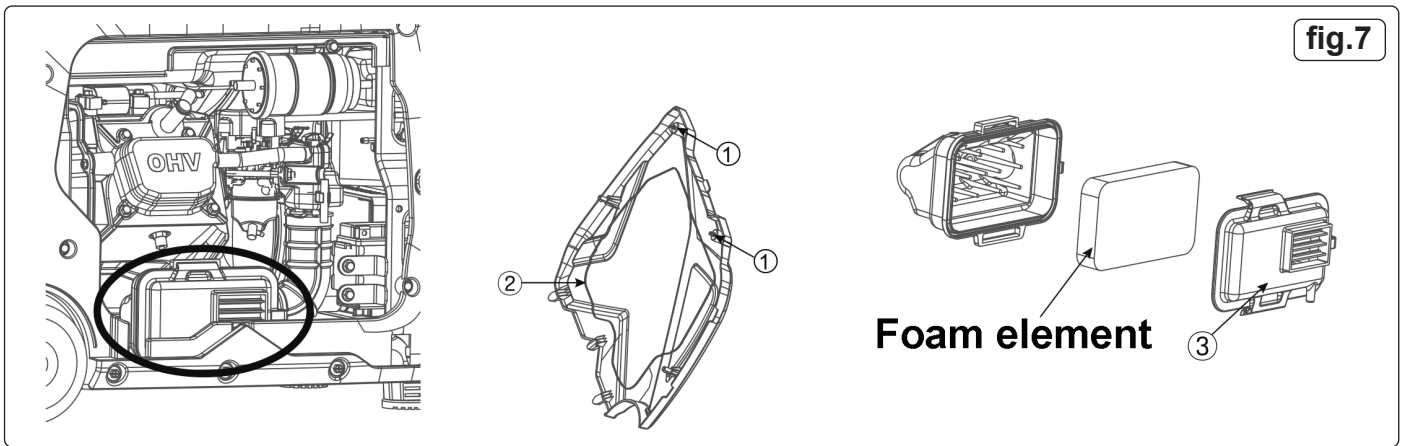


fig.7

8.10. AIR FILTER FIG.7

- 8.10.1. Remove the screws fig.7.1, and then remove the cover fig.7.2.
- 8.10.2. Remove the air filter case cover fig.7.3.
- 8.10.3. Remove the foam element.
- 8.10.4. Wash the foam element in detergent and dry it.
- 8.10.5. Oil the foam element and squeeze out excess oil. The foam element should be wet but not dripping.
 - * **DO NOT** wring out the foam element when squeezing it. This could cause it to tear.
- 8.10.6. Insert the foam element into the air filter case. **NOTE:** Be sure the foam element sealing surface matches the air filter so there are no air leaks.
- 8.10.7. The engine should never run without the foam element; excessive piston and cylinder wear may result.
- 8.10.8. Install the air filter case cover in its original position.
- 8.10.9. Install the cover and lock it.

8.11. MUFFLER SCREEN AND SPARK ARRESTER FIG.8

- **WARNING!** The engine and muffler will be very hot after the engine has been run. Avoid touching the engine and muffler while they are still hot with any part of your body or clothing during inspection or repair.
- 8.11.1. Remove the screws fig.8.1.
- 8.11.2. Remove the muffler cap fig.8.2, the muffler screen fig.8.3 and spark arrester fig.8.4.
- 8.11.3. Clean the carbon deposits on the muffler screen and spark arrester using a wire brush.

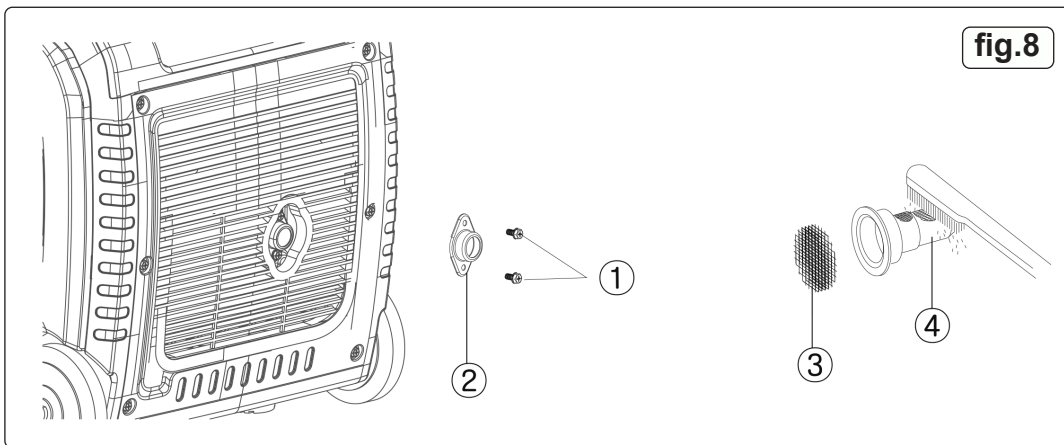


fig.8

- 8.11.4. When cleaning, use the wire brush lightly to avoid damaging or scratching of muffler screen and spark arrester.
- 8.11.5. Check the muffler screen and spark arrester. Replace them if damaged.
- 8.11.6. Install the spark arrester. **NOTE:** Align the spark arrester projection with the hole in the muffler pipe.
- 8.11.7. Install the muffler screen and the muffler cap.
- 8.11.8. Install the cover and tighten the screws.

8.12. FUEL TANK FILTER

- **WARNING!** Never use petrol whilst in the vicinity of an open flame or whilst smoking.
- 8.12.1. Remove the fuel tank cap and filter.
- 8.12.2. Clean the filter with petrol. Wipe the filter and install it.
- 8.12.3. Install the fuel tank cap. Be sure the fuel tank cap is tightened securely.

9. STORAGE

- 9.1. Long term storage of your machine will require some preventive procedures to guard against deterioration.
- 9.1.1. Drain the fuel. Turn the switch knob to "OFF". Remove the fuel tank cap, remove the filter. Extract the fuel from the fuel tank into an approved petrol container.
- 9.1.2. Replace the fuel tank cap.
- 9.1.3. Fuel is highly flammable and poisonous. Check "SAFETY INFORMATION" carefully.
- 9.1.4. Immediately wipe off spilled fuel with a clean, dry, soft cloth, since fuel may deteriorate painted surfaces or plastic parts.
- 9.1.5. Start the engine and leave it run until it stops by running out of fuel.
 - * **DO NOT** connect with any electrical devices. (unloaded operation)
- 9.1.6. Duration of the running engine depends on the amount of the fuel left in the tank (approx. 20 mins).
- 9.1.7. Turn the switch to "OFF".

- 9.1.8. Let the generator cool down.
- 9.1.9. Remove the screws, and then remove the cover.
- 9.1.10. Drain the fuel from the carburettor by loosening the drain screw on the carburettor float chamber.
- 9.1.11. Tighten the drain screw.
- 9.1.12. Install the cover and tighten the screws.

9.2. ENGINE

- 9.2.1. Perform the following steps to protect the cylinder, piston ring, etc. from corrosion:
- 9.2.2. Remove the spark plug, pour about 18ml of SAE 15W-40 into the spark plug hole and reinstall the spark plug. Recoil start the engine by turning over several times (with 3 in 1 switch knob off) to coat the cylinder walls with oil.
- 9.2.3. Pull the recoil starter until you feel compression. Then stop pulling. (This prevents the cylinder and valves from rusting).
- 9.2.4. Clean exterior of the generator. Store the generator in a dry, well-ventilated place, with a the cover placed over it.



ENVIRONMENT PROTECTION

Recycle unwanted materials instead of disposing of them as waste. All tools, accessories and packaging should be sorted, taken to a recycling centre and disposed of in a manner which is compatible with the environment. When the product becomes completely unserviceable and requires disposal, drain any fluids (if applicable) into approved containers and dispose of the product and fluids according to local regulations.



WEEE REGULATIONS

Dispose of this product at the end of its working life in compliance with the EU Directive on Waste Electrical and Electronic Equipment (WEEE). When the product is no longer required, it must be disposed of in an environmentally protective way. Contact your local solid waste authority for recycling information.

Note: It is our policy to continually improve products and as such we reserve the right to alter data, specifications and component parts without prior notice.

Important: No Liability is accepted for incorrect use of this product.

Warranty: Guarantee is 12 months from purchase date, proof of which is required for any claim.

Sealey Group, Kempson Way, Suffolk Business Park, Bury St Edmunds, Suffolk. IP32 7AR



01284 757500



sales@sealey.co.uk



www.sealey.co.uk