

SEALEY

1800W HIGH EFFICIENCY CARBON FIBRE INFRARED HEATER WITH TELESCOPIC FLOOR STAND

MODEL NO: **IFSH1809R**

Thank you for purchasing a Sealey product. Manufactured to a high standard, this product will, if used according to these instructions, and properly maintained, give you years of trouble free performance.

IMPORTANT: PLEASE READ THESE INSTRUCTIONS CAREFULLY. NOTE THE SAFE OPERATIONAL REQUIREMENTS, WARNINGS & CAUTIONS. USE THE PRODUCT CORRECTLY AND WITH CARE FOR THE PURPOSE FOR WHICH IT IS INTENDED. FAILURE TO DO SO MAY CAUSE DAMAGE AND/OR PERSONAL INJURY AND WILL INVALIDATE THE WARRANTY. KEEP THESE INSTRUCTIONS SAFE FOR FUTURE USE.



Refer to instruction manual



Electrical shock hazard



Hot surface



DO NOT cover

1. SAFETY

Suitable for outdoor use only (IP65 rated)

1.1. ELECTRICAL SAFETY

- ❑ **WARNING!** It is the user's responsibility to check the following:

Check all electrical equipment and appliances to ensure that they are safe before using. Inspect power supply leads, plugs and all electrical connections for wear and damage. Sealey recommend that an RCD (Residual Current Device) is used with all electrical products. You may obtain an RCD by contacting your local Sealey stockist.

If the product is used in the course of business duties, it must be maintained in a safe condition and routinely PAT (Portable Appliance Test) tested.

Electrical safety information: it is important that the following information is read and understood.

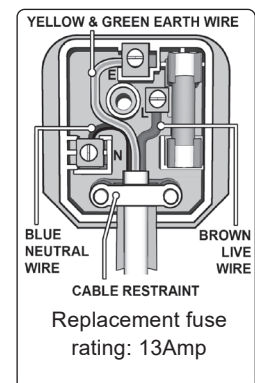
- 1.1.1. Ensure that the insulation on all cables and on the appliance is safe before connecting it to the power supply.
- 1.1.2. Regularly inspect power supply cables and plugs for wear or damage and check all connections to ensure that they are secure.
- 1.1.3. **Important:** Ensure that the voltage rating on the appliance suits the power supply to be used and that the plug is fitted with the correct fuse - see fuse rating in these instructions.
 - * **DO NOT** pull or carry the appliance by the power cable.
 - * **DO NOT** pull the plug from the socket by the cable.
 - * **DO NOT** use worn or damaged cables, plugs or connectors. Ensure that any faulty item is repaired or replaced immediately by a qualified electrician.
- 1.1.4. This product is fitted with a BS1363/A 3 pin plug.

If the cable or plug is damaged during use, switch the electricity supply and remove from use. Ensure that repairs are carried out by a qualified electrician.

Replace a damaged plug with a BS1363/A 3 pin plug. If in doubt contact a qualified electrician.

A) Connect the GREEN/YELLOW earth wire to the earth terminal 'E'.
B) Connect the BROWN live wire to the live terminal 'L'.
C) Connect the BLUE neutral wire to the neutral terminal 'N'.

Ensure that the cable outer sheath extends inside the cable restraint and that the restraint is tight. Sealey recommend that repairs are carried out by a qualified electrician.



1.2. GENERAL SAFETY

- ❑ **WARNING!** Ensure the heater is at least 1m from any object, 30cm from the any ceiling.
- ✓ The unit must be placed on a horizontal flat surface.
- ✓ Familiarise yourself with the applications and limitations of the heater.
- ✓ Ensure the heater is in good order and condition before use. If in any doubt do not use the unit and contact your Sealey stockist.
- ✓ Only use recommended attachments and parts. Using unauthorised parts maybe dangerous and will invalidate your warranty.
- ✓ Check that element guards are in place, undamaged and firmly attached.
- ✓ Keep tools and other items away from the heater when it is in use.
- ✓ Keep the work area clean and clear of unnecessary items.
- ✓ Keep children and unauthorised persons away from the heater, as it gets **very hot**.
- ❑ **WARNING!** Disconnect from mains and allow to cool before moving or attempting any cleaning or maintenance.
- * **DO NOT** use this heater with timers or other devices which switch the heater on automatically.
- * **DO NOT** get the heater wet or use in damp or wet locations or areas where there is condensation.
- * **DO NOT** locate the heater below the power outlet.
- * **DO NOT** move the heater whilst in operation or even when still warm.
- * **DO NOT** locate the heater in an area where there are flammable gases, dust etc.
- * **DO NOT** dismantle the heater for any reason. The heater must be checked by qualified personnel only.
- * **DO NOT** use the heater to perform a task for which it has not been designed.
- ❑ **WARNING! If a fuse blows, ensure it is replaced with an identical fuse type and rating.**
- ✓ When not in use, store the heater carefully in a safe, dry, childproof location.
- ❑ **WARNING!** Never touch the element glass directly with fingers. Use a soft cloth, otherwise the tube may get damaged.
- ❑ **WARNING!** Two dark points may exist on the surface of the heating element, or the surface of the heating element may turn white during the first few minutes of operation. This is normal and will not affect the performance of the heater.

2. INTRODUCTION

A totally dry heat, no condensation, no gas, no fumes and no smell. Reaches maximum heat output within seconds of being turned on. Highly polished aluminium reflector for maximum heat efficiency. Adjusts horizontally through 25° while mounted. Controlled by push on/off switch or remote control. Ideal for industrial or domestic applications. Suitable for outdoor use only (IP65 Rated). Supplied with floor stand.

3. SPECIFICATION

Model No: IFSH1809R
 Heater Dimensions (W x D x H): 650 x 200 x 240mm
 Maximum Height: 1850mm
 Minimum Height: 1530mm
 Power: 1800W
 Supply: 230V - 13A

4. INSTALLATION

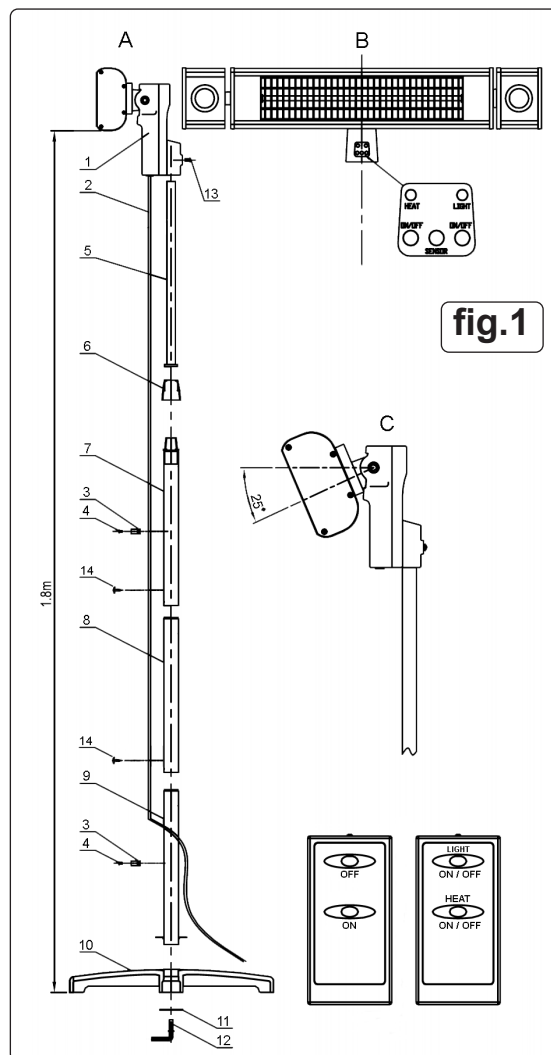
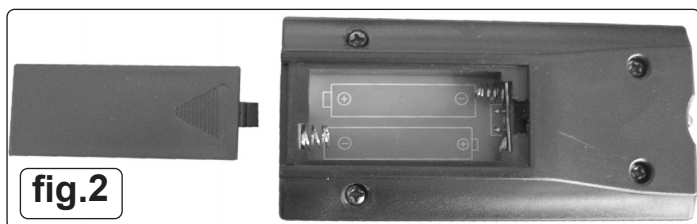
- 4.1. Insert the welded plate end of section 9 into the base 10 and secure using washer 11 and screw 12.
- 4.2. Slide section 8 onto section 9 and secure using screw 14. Slide section 5 upwards from inside of section 7, turn lock screw 6 clockwise to secure and then slide section 7 onto section 8 and secure with screw 14.
- 4.3. Insert the end of section 5 into the base of the heater 1 and secure with screw 13.
- 4.4. Align Clip 3 to the holes in sections 7 and 9 and secure with screw 4.
- 4.5. Insert cable 2 into the clips 3.

5. OPERATION

- ❑ **WARNING! Ensure you read, understand and apply the safety instructions in Section 1 before using the heater.**
- 4.1. Ensure the heater is at least 1m from any object. The heater can be tilted from 0° to 25°, set it to the required angle before switching the heater on.
 - 4.2. Plug in the heater and switch it on using the ON/OFF Heat button on the base of the heater, a blue indicator light will flash indicating that the unit is in stand by mode. Press either the ON/OFF button on the control panel or on the remote to turn the heater on, the blue indicator light will be on.
 - 4.3. On models fitted with LED lights, switch on the lights by using the ON/OFF light button on the base of the unit, a blue indicator light will flash indicating that the unit is in stand by mode press the button again or the button on the remote to switch on the LED's, the blue indicator light will be on.
 - 4.4. When the heater or lights are no longer required, switch off using the appropriate ON/OFF button(s) on the base and unplug the unit.
NOTE: When switching off using the remote, the heater and lights will be in stand by mode.
 - 4.5. The heater has a built in tilt switch safety mechanism that switches off the unit if it is tilted beyond 25° either forwards or backwards. This prevents fire in the event of the unit being knocked over. If the unit does not turn on again when returned to the vertical, tip it approximately 25° in the opposite direction until you hear the internal switch operate. As the heater switches on return it to the vertical position.

6. MAINTENANCE

- ❑ **WARNING! Make sure the heater plug is disconnected from the mains supply before any cleaning is attempted. Also allow the heater to cool completely.**
 - ✗ **DO NOT** use water, other liquids, or harsh abrasive cleaners to clean the heater.
 - ✗ **DO NOT** touch the carbon fibre element with fingers as this may damage the tube.
- 6.1. Clean the exterior with a soft damp cloth with some mild detergent.
 - 6.2. To replace the element or any of the lamps, contact your authorised Sealey stockist.
 - 6.3. To change the remote batteries, press down and push back the battery cover (fig.2), remove old batteries and replace with two new AAA batteries.
- ❑ **WARNING! DO NOT** mix old and new batteries and dispose of old batteries in accordance with local authority regulations.





WEEE REGULATIONS

Dispose of this product at the end of its working life in compliance with the EU Directive on Waste Electrical and Electronic Equipment (WEEE). When the product is no longer required, it must be disposed of in an environmentally protective way. Contact your local solid waste authority for recycling information.



ENVIRONMENT PROTECTION

Recycle unwanted materials instead of disposing of them as waste. All tools, accessories and packaging should be sorted, taken to a recycling centre and disposed of in a manner which is compatible with the environment. When the product becomes completely unserviceable and requires disposal, drain any fluids (if applicable) into approved containers and dispose of the product and fluids according to local regulations.

Note: It is our policy to continually improve products and as such we reserve the right to alter data, specifications and component parts without prior notice.

Important: No Liability is accepted for incorrect use of this product.

Warranty: Guarantee is 12 months from purchase date, proof of which is required for any claim.

Sealey Group, Kempson Way, Suffolk Business Park, Bury St Edmunds, Suffolk. IP32 7AR



01284 757500



01284 703534



sales@sealey.co.uk



www.sealey.co.uk