



INSTRUCTIONS FOR:
HEAVY-DUTY WORKSHOP STOOL PNEUMATIC
with ADJUSTABLE HEIGHT SWIVEL SEAT
 MODEL NO: **SCR17**

Thank you for purchasing a Sealey product. Manufactured to a high standard, this product will, if used according to these instructions and maintained properly, give you years of trouble free performance.

IMPORTANT: PLEASE READ THESE INSTRUCTIONS CAREFULLY. NOTE THE SAFE OPERATIONAL REQUIREMENTS, WARNINGS & CAUTIONS. USE THE PRODUCT CORRECTLY AND WITH CARE FOR THE PURPOSE FOR WHICH IT IS INTENDED. FAILURE TO DO SO MAY CAUSE DAMAGE AND/OR PERSONAL INJURY AND WILL INVALIDATE THE WARRANTY. KEEP THESE INSTRUCTIONS SAFE FOR FUTURE USE.



Refer to Instruction
Manual

1. SAFETY

- WARNING!** Ensure Health & Safety, local authority, and general workshop practice regulations are adhered to when using this seat.
- Locate seat in a suitable working area.
- WARNING!** Use the seat on level and solid ground, preferably concrete.
- Keep the seat clean and tidy in accordance with good workshop practice.
- DO NOT** use the seat for any purpose other than that for which it is designed.
- DO NOT** stand on the seat.
- DO NOT** use the seat outdoors.
- DO NOT** get the seat wet or use in damp or wet locations or areas where there is condensation.
- DO NOT** clean the seat with any solvents which may damage the paint surface or the protective coating on the padded seat.
- DO NOT** exceed maximum capacity of 150kg.

2. INTRODUCTION

Four legged heavy-duty steel construction with a polished Chrome plate finish for anti-corrosion resistance. Heavy-duty Ø32mm strengthening ring for stability which also acts as a foot rest. Ø365mm Swivel seat features pneumatic height adjustment (695 to 815mm), rotates fully through 360° and is made from high density foam with a black PU imitation leather cover for extra comfort and style.

3. SPECIFICATION

Model No: **SCR17**
 Capacity:..... 150kg
 Minimum/Maximum Height: 695-815mm
 Weight: 7kg

4. ASSEMBLY

- 4.1. Unpack all parts before disposing of packaging material.
- 4.2. Attach the two leg sections (fig. 1.15 & 16) together.
- 4.3. Join the two legs using M6x30 bolt (fig.1.13), washer (fig.1.3) and M6 nut (fig.1.14). Do not tighten at this stage.
- 4.4. Attach the spring base (fig.1.10) to the legs using the remaining M6x20 bolts and fastenings. Do not tighten at this stage.
- 4.5. Attach the foot ring (fig.1.12) to the legs using the M6x38 bolts (fig.1.11) and fixings.
- 4.6. Tighten all fixings using the hex key provided and a 10mm open ended spanner.
- 4.7. Screw the seat (fig.1.1) to the seat frame (fig.1.2).
- 4.8. Screw the up and down switch (fig.1.6) and handle (fig.1.7) to the underside of the seat.
- 4.9. Place the pneumatic unit (fig.1.8) into the spring base (fig.1.10), This is a taper fit and does not require securing.
- 4.10. Place the up and down switch and seat on top of the pneumatic unit. This is also a taper fit.

No.	Description	Qty
1	Seat	1
2	Seat Frame	1
3	Washer	9
4	N/A	
5	M6*20 Bolt	8
6	Up and down switch	1
7	Handle	1
8	Pneumatic Pump	1
9	M6*32 Bolt	4
10	Spring Base Lifting Range:4.5"	1
11	M6*38 Bolt	4
12	Foot Ring	1
13	M6*30 Bolt	1
14	Nut M6	9
15	Steel Frame	1
16	Steel Frame	1
17	Rubber Feet	4

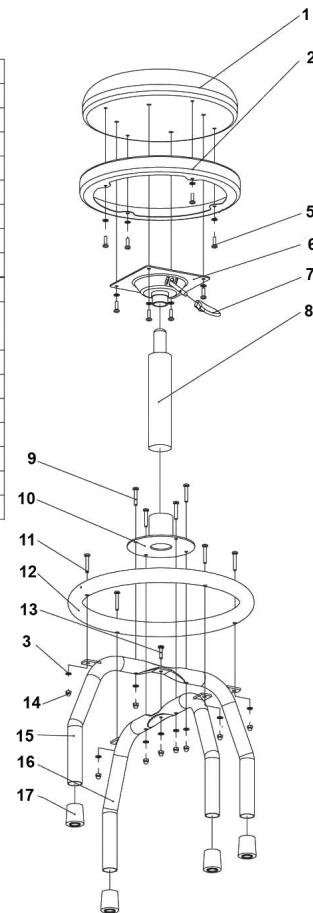


fig.1

5. OPERATION

- 5.1. Once the stool is assembled, press the up and down switch whilst the seat is unloaded. This will allow the seat to reach its maximum height.
- 5.2. To adjust the height: pull the switch lever slowly whilst sitting on the seat. Release the lever at the desired height.