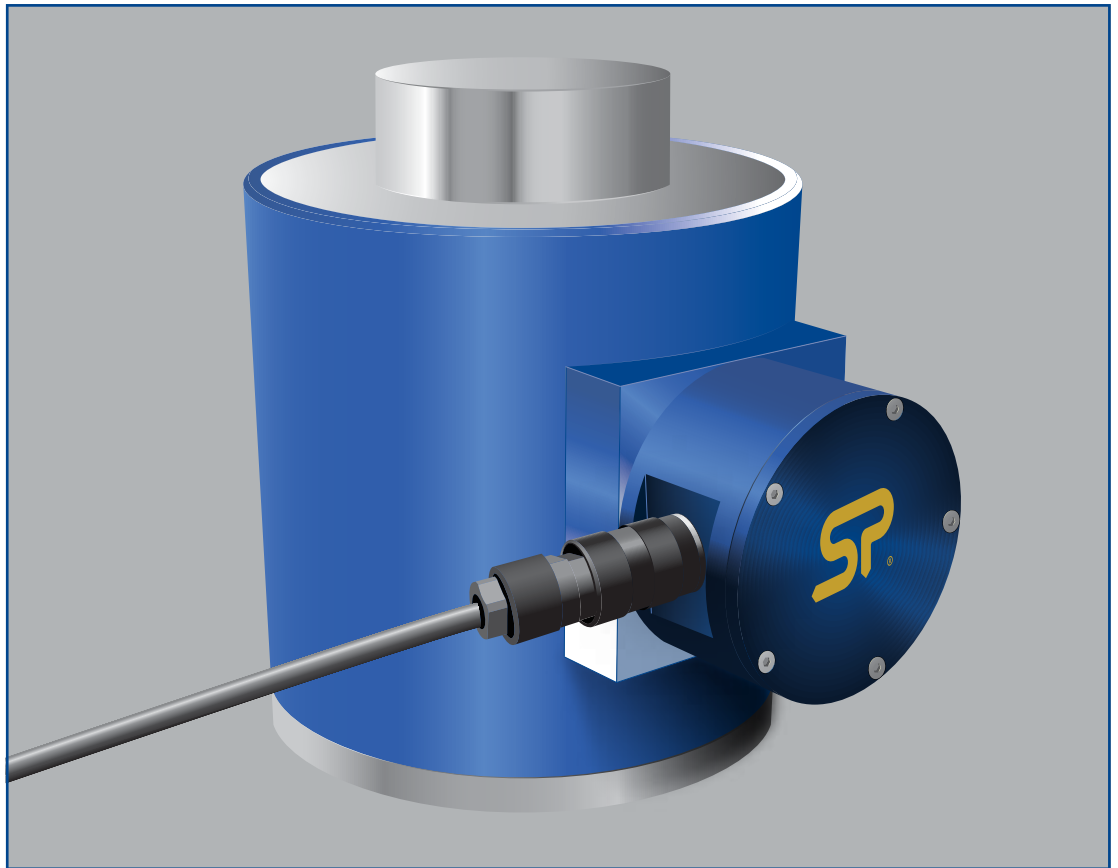




compression load cell



Manufactured in ranges from 5t to 500t - other capacities available on application.

Straightpoint compression load cells are manufactured to the same stringent standards as all Straightpoint products. The bodies are machined from high grade stainless steel, offering excellent strength and anti-corrosion properties. Supplied with optional loadcap to protect objects being tested.

The compact lightweight design provides ease of use and superior portability, allowing Straightpoint compression load cells to be used in a broad range of industries including mining, energy, defence, heavy rigging, shipping, and general transportation sectors.

Utilising the same advanced microprocessor based electronics as all Straightpoint products, Straightpoint's compression load cells benefit from high sampling rates, extreme resistance to industrial level noise and unprecedented stability. This high stability gives this product over 5,000 divisions and the highest standard resolution of any high capacity compression load cell on the market today.

Like all Straightpoint products, our compression load cells offer robust construction, advanced electronics, industry leading resolution and accuracy all at a cost-effective, affordable price.

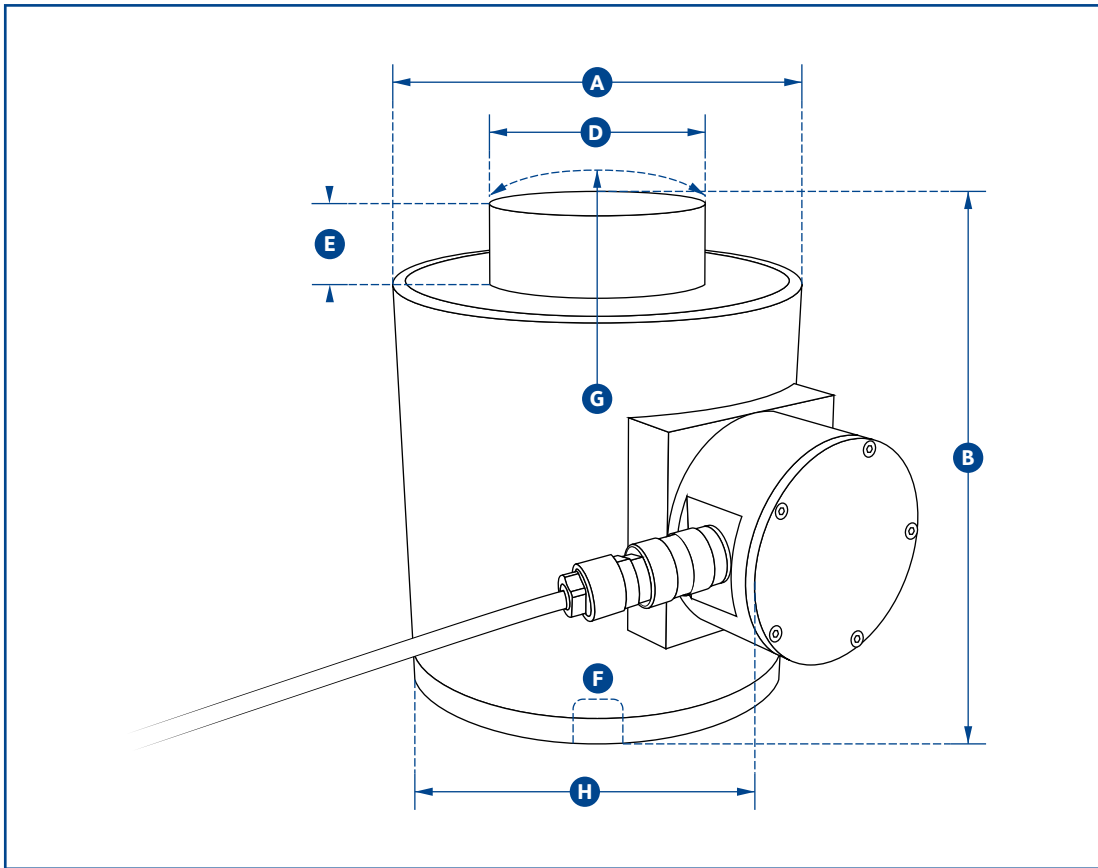


Requires connection to our Handheld plus (HHP), our Desktop Controller data logging software (DCP10M) or our External Amplifier range (SA-3420) that can be configured to provide outputs such as 4-20mA, 0-10v, 0-5v for PLC or data logger integration.

Features and benefits:

- Compact size
- Stainless steel construction
- High accuracy
- Lightweight
- Peak hold
- Tare
- Preset tare
- Audible set point alarm
- Reduced maintenance cost
- Unrivalled resolution
- RS-485 serial output
- Design validated by F.E.A.

metric specifications



compression load cell

Part Number	NI5TC	NI10TC	NI25TC	NI50TC	NI100TC	NI150TC	NI300TC	NI500TC
Capacity	5te	10te	25te	50te	100te	150te	300te	500te
Resolution	0.001te	0.002te	0.005te	0.02te	0.1te	0.1te	0.1te	0.5te
Units	tonne							
Weight	6.2kg	6.2kg	6.2kg	6.2kg	15.5kg	15.5kg	65kg	65kg
Safety Factor	3:1							
Battery Type	Load cell 4 x AA Alkaline							
Battery Life	Load cell 1,200 hours continuous							
Operating Temp	-10°C to +50°C							
Accuracy	± 0.3% of applied load							
Frequency	2.4 GHz							
System Range	700 metres							
Data Rate	3 Hz (configurable to 200 Hz)							
Protection	IP67							
Dimension A	76	76	76	102	152	152	185	185
Dimension B	83	83	83	127	184	184	300	300
Dimension C	59	59	59	59	80	80	155	155
Dimension D	32	32	32	13	26	26	27.5	27.5
Dimension F	M12 x 1.75	M12 x 1.75	M12 x 1.75	M20 x 2.5	M20 x 2.5	M20 x 2.5	M20 x 2.5	M20 x 2.5
Dimension G	152	152	152	152	432	432	432	432
Dimension H	96	96	96	154	204	204	237	237

Capacities from 500t - 2,000t (price on application).

Unit 9, Dakota Park, Downley Road, Havant, Hampshire PO9 2NJ · UK
 Tel: +44(0)2392 484491 · Fax: +44(0)2392 472211
www.straightpoint.com · sales@straightpoint.com

