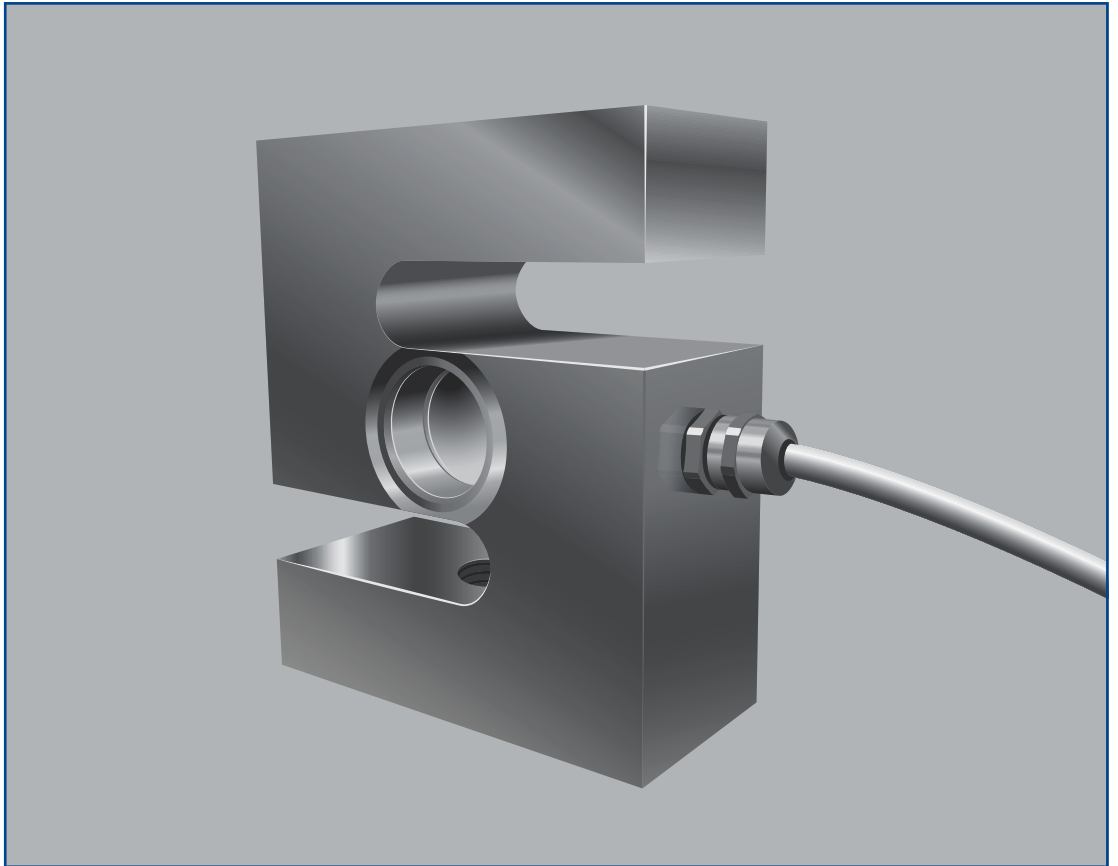




's' beam load cell



A range of stainless steel 'S' Beam load cells from 100kg to 5t. The Straightpoint 'S' Beam range of tension/compression load cells is suitable for smaller silo, vessel and tank weighing applications or for building into OEM projects, testing machines, etc.

Hardwired, they are supplied with a 10 metre cable and can be connected to the Straightpoint range of accessories such as the Handheld plus.

The 'S' Beam load cell can be used in both tension or compression and has a threaded hole at each end making it a very flexible solution.

Fitting options available including threaded bar, rod end bearing and eyebolts.

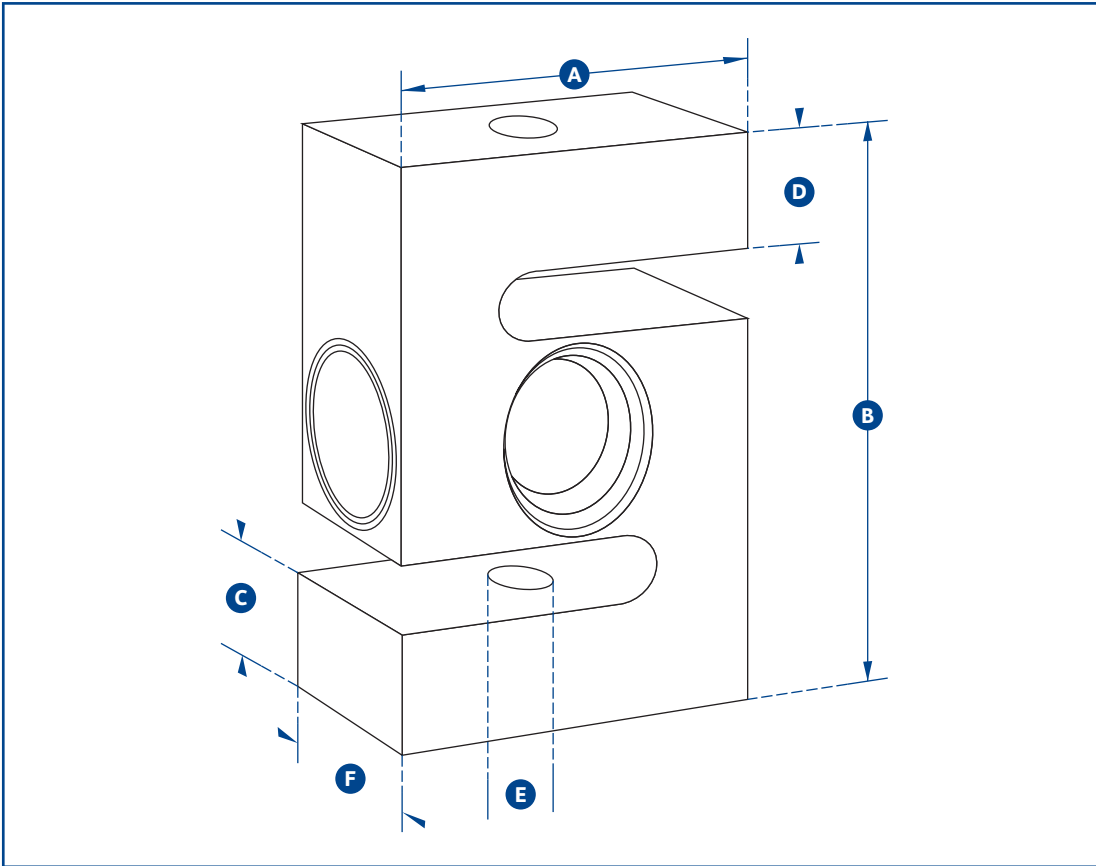


Requires connection to our Handheld plus (HHP), our Desktop Controller data logging software (DCP10M) or our External Amplifier range (SA-3420) that can be configured to provide outputs such as 4-20mA, 0-10v, 0-5v for PLC or data logger integration.

Features and benefits:

- Fully sealed up to IP67
- High accuracy
- High endurance
- Built-in overload protection
- High capacity/Low capacity
- Compact designs available for tight environment
- In both tension and compression
- Single point construction

metric specifications



's' beam load cell

Part Number	SB500K	SB1T	SB2T	SB5T
Capacity	500kg	1te	2te	5te
Resolution	0.2kg	0.0005te	0.001te	0.001te
Weight	0.9kg	0.9kg	0.9kg	1.9kg
Safety Factor	5:1			
Operating Temp	-30°C to +80°C			
Accuracy	±0.3% of applied load			
Protection	IP67			
Dimension A	70	70	70	100
Dimension B	90	90	90	120
Dimension C	19	19	19	26
Dimension D	19	19	19	26
Dimension E	M12 x 1.75	M16 x 2	M16 x 2	M24 x 2
Dimension F	32	32	32	45