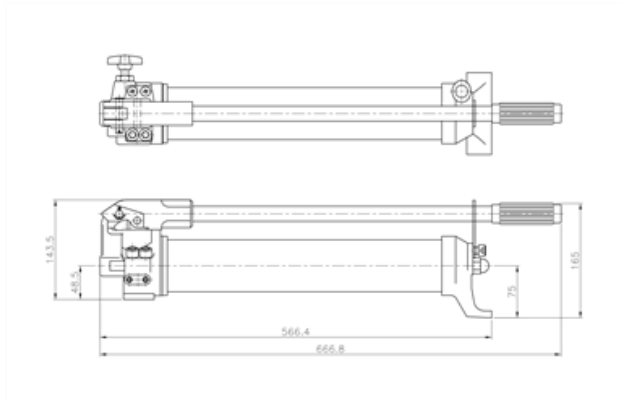


THPA-1C - 1600cc

- Reservoir Capacity: 280-10000cc.
- **Volume per stroke:**
- High Pressure: 0.5-4.7 cc/stroke
- Low Pressure: 5-85 cc/stroke
- Maximum Pressure: 700 Bar



Dimensions

Model	Reservoir Capacity (cc)	Volume Per Stroke (cc) High Pressure	Volume Per Stroke (cc) Low Pressure	Piston Dia. (mm) High Pressure	Piston Dia. (mm) Low Pressure	Piston Stroke (mm)	Weight (kg)	Quality of material	Working Pressure (kg/cm ²)
THPA-1C	1600	2.0	16.5	11	32	20.5	8	Aluminium	700