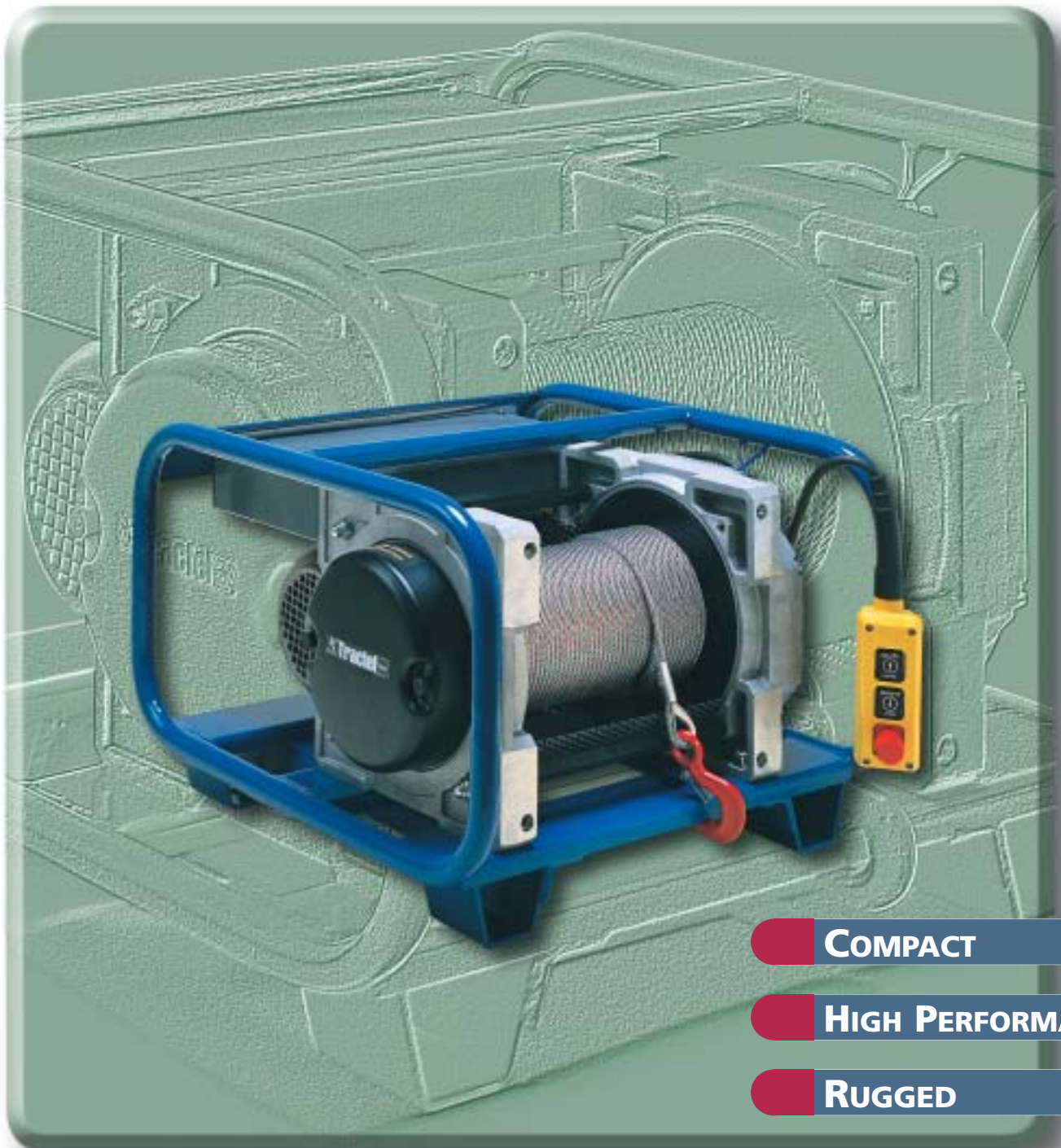


carol[®]

Powered drum winches



COMPACT

HIGH PERFORMANCE

RUGGED

 **Tractel** Group

TE-TC : The multipurpose motorised winch

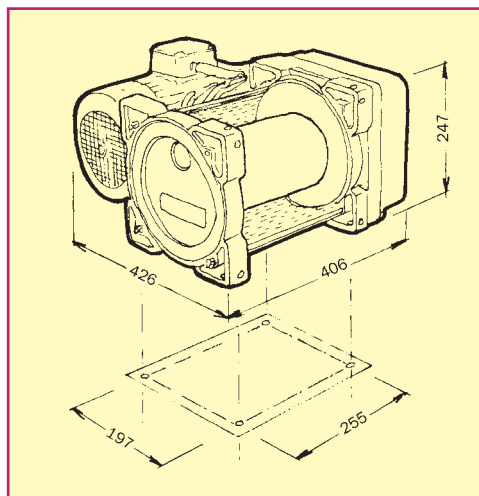
TE series : standard
 TC series : with frame (for site operation)
 Winches in accordance with current legislation.

200 kg and 300 kg
500 kg and 800 kg
 single or three phase

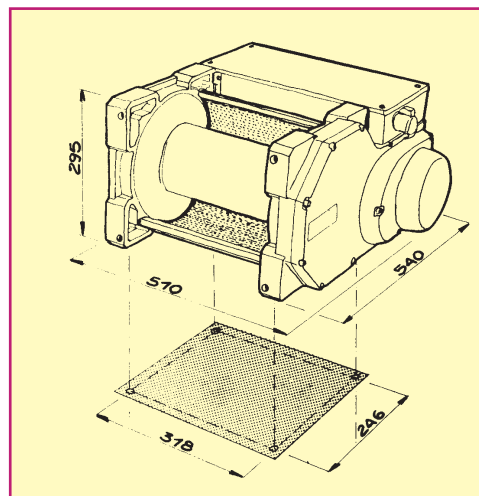
Weatherprof : Made of pressed aluminium and polycarbonate, moulded and coloured.

Gearing : The helical gear teeth significantly reduce the noise level. Gear greased and sealed for life.

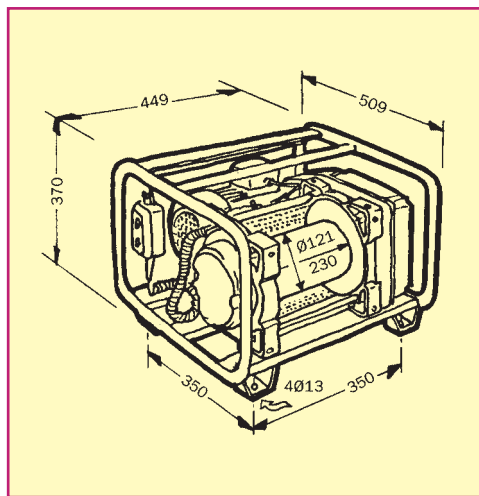
Remote control : Low voltage (24 V) push-button control, with emergency stop and connection by 3 m flexible cable.



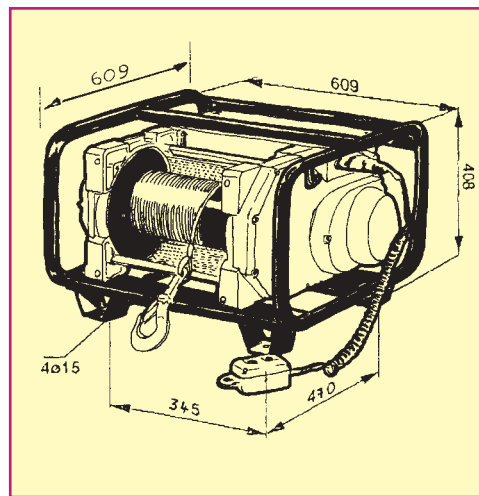
TE series : 200 and 300 kg
 On three support sides, there are 4 anchor points
 Forming a rectangle : 255 x 197 mm



TE series : 500 and 800 kg
 On two support sides, there are 4 anchor points
 forming a rectangle : 318 x 246 mm



TC series : 200 and 300 kg
 The brackets on the lower part of the frame allow
 tubes to be fitted, so that a variety of possible methods
 of anchoring and counterbalancing may be used.



TC series : 500 and 800 kg
 Diameter of drum : 140 mm
 Drum length : 290 mm

PRINCIPLE



Drum with wide flanges :
takes up to 60 m of 5 mm dia wire rope.

Drum protection :
the wire rope is visible through the perforated shield.



Bolt holes :
for the multiple fixing points of the winch, there are purpose-made bolt holes to makes the bolts captive without requiring a spanner.

Wire rope anchor point :
screwable bracket accessible from the outside, and which gives even reeling of the wire rope.

Disc brake, operates without power :
This electromagnetic brake holds the load as soon as the button on the remote control is released. The same happens should there be a power failure. For pulling applications only, the winch can be supplied without brake, so that manual unreeling of the wire rope is possible (except for models 500 kg and 800 kg).

TECHNICAL SPECIFICATIONS

Motor kW	WLL kg	Speed m/min.	Wire rope capacity (m)	Dia. of wire rope mm	Weight (kg)	
					TE	TC
1,1 single	250	25	60	5	39	50
1,1 3 ph.	250	25	60	5	39	50
1,1 single	300	20	60	5	39	50
1,1 3 ph.	300	20	60	5	39	50
1,5 single	500	12	85	6,8	85	95
0,55 3 ph.	500 *	5	85	6,8	85	
1,1 3 ph.	500 *	9	85	6,8	85	
1,5 3 ph.	500	12	85	6,8	85	95
2,2 3 ph.	500	18	85	6,8	85	95
3 3 ph.	500	23	85	6,8	85	95
1,1 3 ph.	800 *	5	60	8	90	
2,2 3 ph.	800 *	10	60	8	90	
2,2 3 ph.	800 *	13	60	8	90	
3 3 ph.	800	17	60	8	90	100

* Unavailable in TC version

- Single phase motor 220 Vac, 50 Hz, lifting type.
P = 0.75 kW (TE/TC series : WLL 200 kg and 300 kg)
P = 1.5kW (TE/TC series : WLL 500 kg and 800 kg)
Speed 1500 rpm. Starting by condenser.
Class. F, IP 55 protection.
- 3 phase motor : 220/380 Vac, 50 Hz, lifting type.
Class F, IP 55 protection.
- Sealed reduction gears in oil bath, with helical gears.
- Electromagnetic brake, 24 Vdc.
- Welded steel drum.
- Very high quality electrical wiring, protected under weatherproof cover
- Low voltage (24 volts) remote control with emergency stop.
- Upper and lower limit switches (TE/TC series : WLL 200 kg and 300 kg)
- Standard power supply connection.
- Optional equipment on request.

OPTIONAL EQUIPMENT

Emergency hand wheel :

Coupled with a brake release lever, the hand wheel allows lowering or positioning a load when there is no power supply (photo n°1).

2nd wire rope anchor point :

To lift a load with two wire ropes or arrange a «to-and-fro» system (photo n°2).

Electronic load limited :

Stops the winch should there be an overload condition.

Slack wire rope detector :

This device automatically stops the winch when the wire rope is not under tension ; for example, on lowering, when the load may lodge on an obstacle (photo n°5).

Thermal cut-out :

With automatic reset, to protect the motor.

Motors (TE 200/300 kg series) :

- single phase : 110/220 volts, 50 or 60 Hz ;
- 3 phases : 380-440-660 volts, 50 or 60 Hz ;
- 750-1000-3000 rpm.
- special protection on request.

Limit switches :

Devices which stop lifting or lowering at pre-determined points (photo n°6).

Grooved drum :

Makes reeling easier. Essential for to-and-fro systems (photo n°3).

Wire rope pressure roller :

An essential complement for the grooved drum, when the wire rope is not in permanent tension (photo n°4).



1



2



3



4



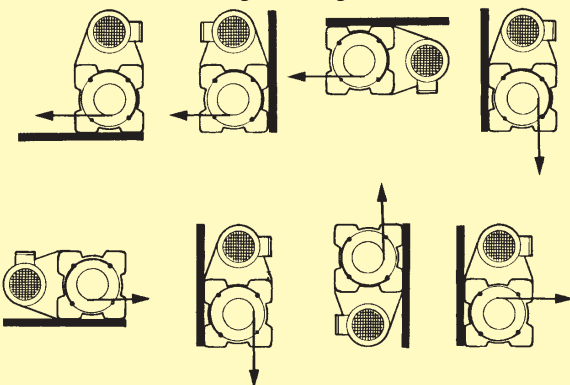
5



6

MULTIFUNCTIONS - MULTIPLE ANCHOR POINTS

TE 200 kg - 300 kg series



TE 500 kg - 800 kg series

