

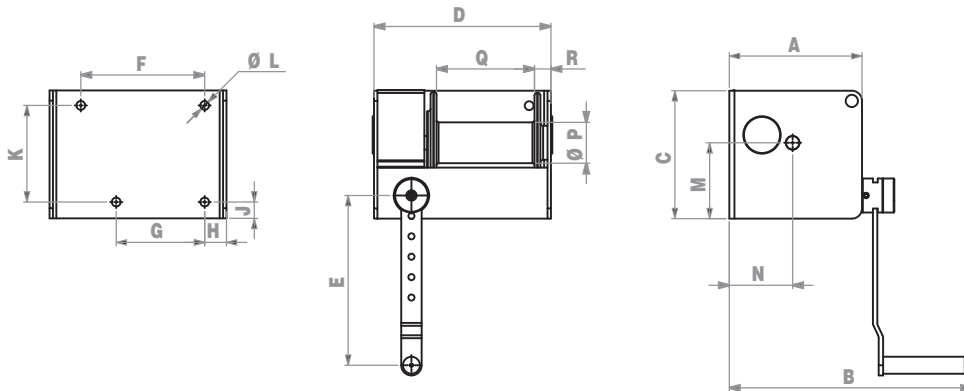
# technical sheet

## Manual worm gear winches carol™ TS model W.L.L. : 250 and 500 kg

réf. : **T 2090 GB**  
rév. n° : -  
date : **06/08**  
page : **1/1**

### Features :

- Complies with machinery directive 98/37/CE.
- Winch satisfies all rupture and endurance test requirements per standard EN13157 :12/2004.
- Drum and gear wheel mounted on bronze bearings.
- Double braking safety by self-locking wheel and screw system and use of pawl brake with double spring.
- Rigid frame with painted mechanical parts and drum.
- Drum disengageable by easily accessible lever with safety device preventing disengagement when carrying a load.
- Users and gears protected by ergonomic cover, removable for maintenance.
- Simple, fast cable fastener.
- Variable-length control crank handle (6 adjustment positions) allowing user to either apply maximum control force, or perform rapid cranking for small loads or rewinding.
- Self-locking crank handle adjustment knob for maximum user comfort and safety. Allows adjusting crank handle or removing it to prevent operation of winch.
- The TS winch can be secured by 4 points on a vertical mounting plane.
- Easily transportable by cross bar.



W.L.L. (kg)	Dimensions (mm)															
	A	B	C	D	E <sub>max</sub> /E <sub>min</sub> (1)	F	G	H	J	K	ØL	M	N	P	Q	R
250	167	332	150	202	250/100	137	100	26	13	118	4xØ11	89	80	60	99	24.5
500	195	360	188	260	250/100	182	130	32	18	142	4xØ13	111.5	93	70	144	36

(1) : by step of 30 mm

W.L.L. (kg)	Wire rope			Effort on handle (kg) (1)	Lift per turn of handle (mm) (2)	Weight without wire rope (kg)
	Ø (mm)	Maximum capacity (m)	Number of layers			
250	5	20	5	10	21	11
500	6.8	25	5	13.5	17	17

(1) : At last winding layer with maximum crank handle length (E<sub>max</sub>)

(2) : At last winding layer