

### WH PT ATEX Push Trolley

**Standards:** British Standard BS EN 13157:2004 + A1:2009,  
ATEX Directive 2014 / 34 / EU and Machinery Directive 2006 / 42 / EC

**Proof Tested:** 1.5 x WLL.

**Safety factor:** 4:1.

**Temperature range:** -20°C to +135°C.

**Track width range:** 2.0 inches to 12.0 inches. Trolleys available with standard (range 1) or extended (range 2) trolley bars to fit a range of beam widths.

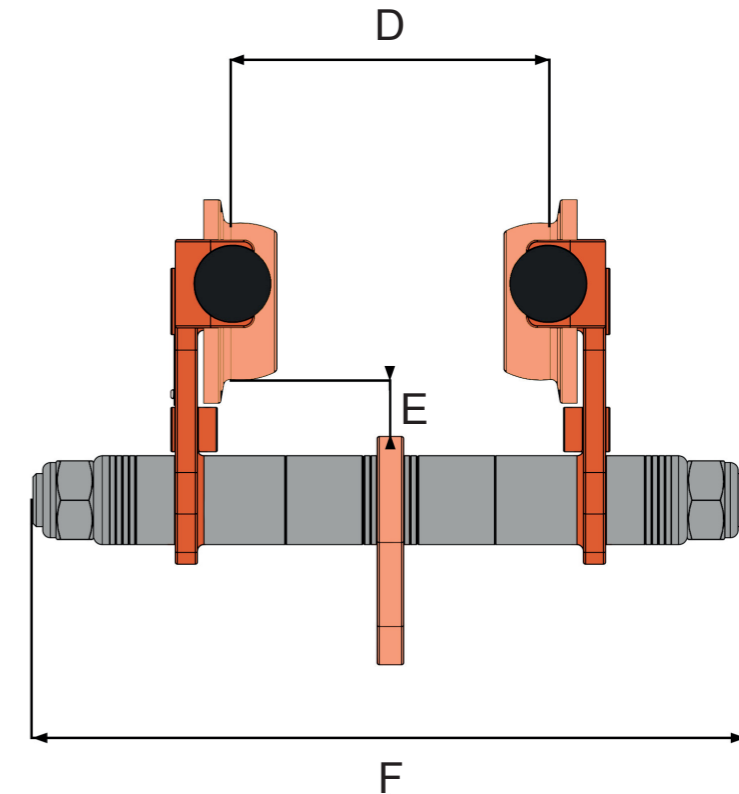
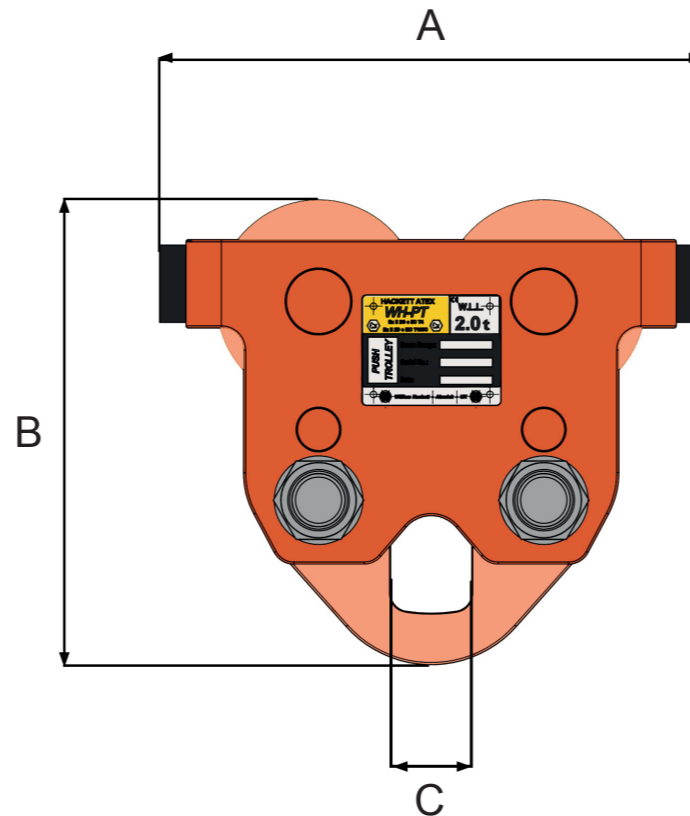
**End stops:** Fitted as standard.

**Anti-tilt:** Fitted as an optional extra.

**Attachment:** Hanging plate

**Spark resistant:** Copper plated wheels and copper plated hanging plate.

**Paint Coating:** Marine paint 3 layer Category C5.



### Specifications

Part Code	WLL tons	Min. radius of Curve ft	A inch	B inch	C inch	E inch	I Beam width D inch		F inch		Mass lbs	
							Std. Range1	Ext. Range 2	Std. Range1	Ext. Range 2	Std. Range1	Ext. Range 2
047.ATEX.050	0.50	2.62	7.83	6.26	0.87	1.10	2.0 - 8.0	-	11.6	-	15.2	-
047.ATEX.100	1.00	2.95	8.70	7.28	1.18	1.16	2.5 - 8.0	2.5 - 12.0	12.2	16.2	19.8	23.2
047.ATEX.200	2.00	3.28	11.34	8.90	1.42	1.42	3.5 - 8.0	3.5 - 12.0	12.9	17.0	32.2	36.4
047.ATEX.320	3.20	3.94	13.15	10.98	1.77	1.79	4.0 - 8.0	4.0 - 12.0	13.8	18.0	55.6	61.1
047.ATEX.500	5.00	4.27	16.02	12.24	2.17	1.97	4.5 - 8.0	4.5 - 12.0	14.4	18.5	84.4	92.6



II Equipment Group: surface industries  
 2G Category: High Safety - Ex Atmosphere: Gas  
 2D Category: High Safety - Ex Atmosphere: Dust  
 Ex h Protection type: Design safety  
 IIC Gas Explosion Group: Protected for group IIC which includes groups IIA & IIB  
 T4 Gas Temperature Class: Maximum external surface temperature 135°C  
 IIIC Groups of Dust: Protected for group IIIC which includes groups IIIA & IIIB  
 T135°C Dust Temperature Class: Maximum external surface temperature 135°C  
 Gb Db Equipment Protection Level (EPL): Gas and Dust