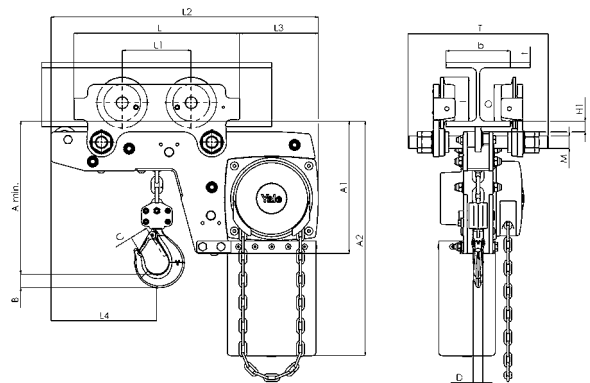


## Technical data model Yalelift LH

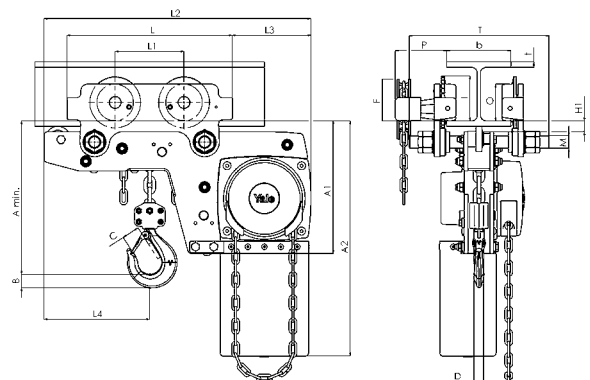
Model	EAN-No. 4025092*	Capacity in kg/ number of chain falls	Size	Beam flange width b	Beam flange thickness t max.	Curve radius min.	Weight at standard lift (3 m) - P	Weight at standard lift (3 m) - G	Weight at standard lift (3 m) with locking device - P	Weight at standard lift (3 m) with locking device - G
				mm	mm	m	kg	kg	kg	kg
YLLH 500	*293082	500/1	A	60 - 180	19	0.9	27	31	33	38
YLLH 500	-	500/1	B	180 - 300	19	0.9	27	32	34	38
YLLH 1000	*293167	1000/1	A	70 - 180	19	0.9	35	40	43	48
YLLH 1000	-	1000/1	B	180 - 300	19	0.9	36	41	44	49
YLLH 2000	*319676	2000/1	A	82 - 180	19	1.15	61	65	69	73
YLLH 2000	-	2000/1	B	180 - 300	19	1.15	62	67	70	75
YLLH 3000	*319669	3000/1	A	100 - 180	19	1.5	107	112	116	121
YLLH 3000	-	3000/1	B	180 - 300	19	1.4	109	114	118	123
YLLH 5000	*319652	5000/2	A	110 - 180	27	2.0	152	157	162	167
YLLH 5000	-	5000/2	B	180 - 300	27	1.8	156	161	166	171
YLLH 10000	-	10000/3	A	125 - 180	40	1.8	on request	230	on request	on request
YLLH 10000	-	10000/3	B	180 - 310	40	1.8	on request	232	on request	on request

P in connection with weight = with pushed trolley

G in connection with weight = with geared trolley



Model Yalelift LHP, 500 - 3000 kg, single fall



Model Yalelift LHG, 500 - 3000 kg, single fall

**!** Yale hoists and trolleys are not designed for passenger elevation applications and must not be used for this purpose.