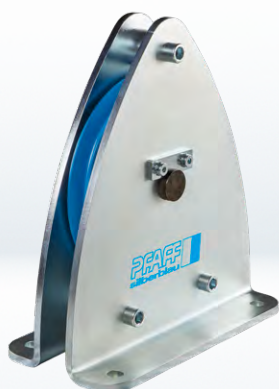


Accessories electrical & manual wire rope winches

Wire rope pulley block DSRB, sheave DSR, standard wire ropes



DSRB 270



DSR 400



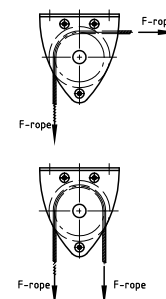
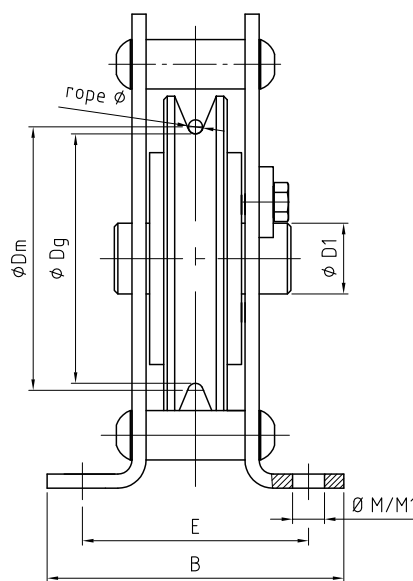
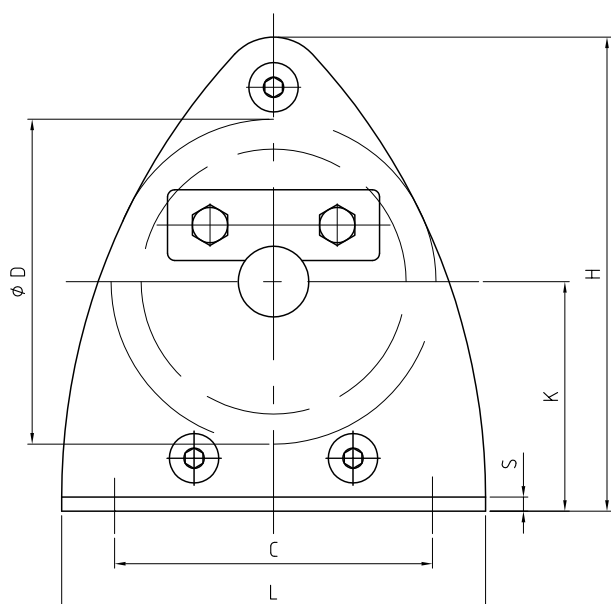
Standard wire rope

Technical data and dimensions: wire rope pulley block DRSB

Model	Art. no.	D Ø [mm]	Rope Ø [mm]	Dm Ø [mm]	FEM	Max. tensile load at deflection		Ball bearing	Dimensions in mm								
						90°	180°		D ₁ Ø	L	C	H	B	E	S	K	M/M ₁ Ø
DSRB 90/4	33447103	90	3-4	80	2m	700	500	6004ZZ	20	120	90	134	85	62	4	65	9/9
DSRB 90/6	33447413	90	5-6	78	1Dm	700	500	6205ZZ	25	120	90	134	85	62	6	65	9/9
DSRB 145/7	33447106	145	7	126	1Am	1100	800	6306ZZ	25	200	160	224	125	88	6	110	11.5/13
DSRB 185/8	33447107	185	8	160	2m	2300	1630	6306ZZ	30	245	195	273	138	106	8	135	13.5/15
DSRB 270/12	33447111	270	9-12	246	2m	2500	1800	6208ZZ	40	360	290	407	191	138	10	202	18/20
DSRB 400/16	33447113	400	13-16	368	3m	5000	3800	6310ZZ	50	530	430	612	302	212	15	310	26/30
DSRB 490/20	33447115	490	20	450	3m	8000	6000	6313ZZ	65	650	580	694	313	220	16	340	34/40

On request, all wire rope pulley blocks are also available individually.

Also available according to directive 2014/34/EU (ATEX).



CAD & go



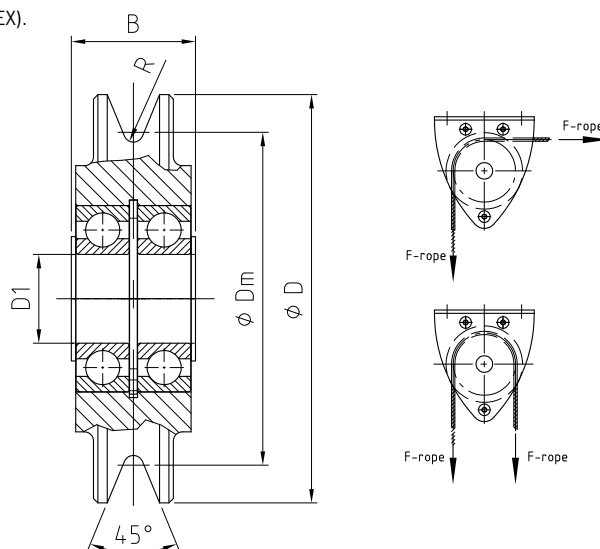
Accessories electrical & manual wire rope winches

Wire rope pulley block DSRB, sheave DSR, standard wire ropes

Technical data and dimensions: sheave DSR

Model	Art. no.	D Ø [mm]	Rope Ø [mm]	Dm Ø [mm]	FEM	Max. tensile load at deflection		Ball bearing	Dimensions in mm		
						90°	180°		D ₁ Ø	R	B
DSR 80/4	33447202	80	4	66	1Bm	700	500	6004ZZ	20	2.2	28
DSR 90/6	33447403	90	6	80	1Dm	700	500	6004ZZ	20	3.2	28
DSR 145/5	33447204	145	5	125	4m	1100	800	6205ZZ	25	2.7	34
DSR 145/6	33447205	145	6	125	2m	1100	800	6205ZZ	25	3.2	34
DSR 145/7	33447206	145	7	126	1Am	1100	800	6205ZZ	25	3.7	34
DSR 185/8	33447207	185	8	160	2m	2300	1630	6306ZZ	30	4.2	42
DSR 185/9	33447208	185	9	162	1Am	2300	1630	6306ZZ	30	4.8	42
DSR 270/10	33447209	270	10	245	3m	2500	1800	6208ZZ	40	5.3	41
DSR 270/11	33447210	270	11	248	3m	2500	1800	6208ZZ	40	6.0	41
DSR 270/12	33447211	270	12	246	2m	2500	1800	6208ZZ	40	6.5	41
DSR 270/13	33447212	270	13	244	1Am	2500	1800	6208ZZ	40	7.0	41
DSR 325/14	33447217	325	14	297	2m	4500	3200	6310ZZ	50	7.5	60
DSR 400/16	33447213	400	16	368	3m	5000	3800	6310ZZ	50	8.6	61
DSR 400/18	33447214	400	18	364	2m	5000	3800	6310ZZ	50	9.7	61
DSR 490/20	33447215	490	20	450	3m	8000	6000	6313ZZ	65	10.8	72

Also available according to directive 2014/34/EU (ATEX).



CAD & go



Technical data: Rope selection for manual wire rope winches

Rope diameter Ø	Calculated breaking force [kN]	Rope length				Tensile load eye hook [kg]
		5 m	10 m	15 m	20 m	
4 mm – DIN 3060	10.1	33600405	33600410	33600415	33600420	500
5 mm – DIN 3060	15.8	33600505	33600510	33600515	33600520	1000
6 mm – DIN 3060	22.8	33600605	33600610	33600615	33600620	1000
7 mm – DIN 3060	31.0	33600705	33600710	33600715	33600720	1000
7 mm – DIN 3069 *	43.9	-	-	33601715	-	1600

*Rope with higher breaking strength for winch LB 1200 kg

Wire ropes for electric wire rope winches on request.