

REFLX[®] 45

COLLISION AVOIDANCE SYSTEMS

Magnetek's ReFlx[®] 45 is the simple distance detection and collision avoidance system solution.

Prevent crane-to-crane or crane-to-end-stop collisions by installing Magnetek's ReFlx[®] 45 Distance Detection and Collision Avoidance System, which quickly detects objects that advance inside a set distance. Avoiding collisions means improved operator safety and reduced maintenance costs. The ReFlx 45 system is ideal for use with all types of cranes using adjustable frequency drives, soft starters, or contactor controls.

FEATURES

The ReFlx 45 is a cost-effective system, ideal for a single stop action. All electronic components are built into one compact housing, enabling easy installation on overhead material handling applications. Don't let the compact size fool you; the ReFlx 45 packs power and functionality into a light and inexpensive unit.

QUICK & EASY SETUP

- System includes a sensor, 2 x 2 foot (0.6 x 0.6 m) reflector, and sensor bracket
- LEDs indicating power and range allow for simple set-up and troubleshooting
- Adhesive reflector is standard for convenient placement
- Optional DIN rail for mounting simplifies retrofit installations in harsh environments

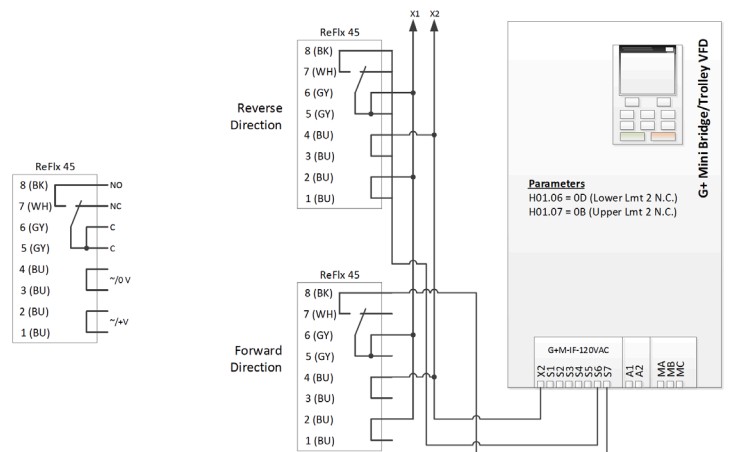


INNOVATIVE & EFFICIENT PERFORMANCE

- 3-45 foot (1-15 m) detection range*
- ≤ 20 ms response time
- IP67 rating for indoor and outdoor† applications
- 12-240V AC/DC
- Four DIP switches for custom sensitivity adjustments
- Light/Dark environment adjustment switch allows day or night use

*Runway length may be greater than detection range

†System may not operate properly in direct sunlight or inclement weather conditions



Connection Example for ReFlx 45 and an IMPULSE[®]•G+ Mini Drive

For more information, contact your local Magnetek Sales Representative.



WWW.MAGNETEKMH.COM
SALES@MAGNETEK.COM

US HEADQUARTERS
 Toll-Free Phone 800.288.8178
 Toll-Free Fax 800.298.3503
 Phone 1.262.783.3500
 Fax 1.262.783.3510

CANADA FACILITY
 Toll-Free Phone 800.792.7253
 Phone 905.828.1526
 Fax 905.828.5707

UK FACILITY
 Phone +44 (0)1234 349191
 Fax +44 (0)1234 268955