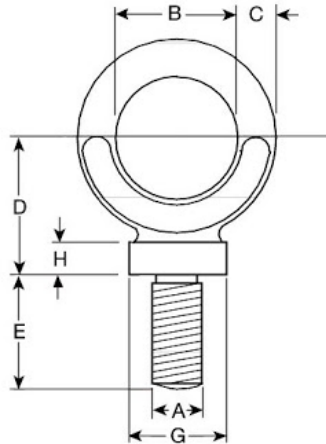


Dynamo Eyebolt Metric Thread – EBDM



Dynamo Eyebolt Metric Thread – EBDM

- Drop forged, high tensile steel, heat treated.
- Self colour and electro galvanised finish.
- Meets the W.L.L. performance requirements of BS 4278.
- Minimum breaking load is 5 times the W.L.L.
- Marked with CE, W.L.L, size and product ID mark.
- To be used for vertical lifting only.
- Certification available [2.1](#) **DoC**

Product Code	W.L.L. t	A mm	B mm	C mm	D mm	E mm	G mm	H mm	Weight kgs
EBDM6	0.1	6	22	9	27	18	17	5	0.07
EBDM8	0.15	8	22	9	27	18.5	17	5	0.07
EBDM10	0.25	10	22	9	27	18.5	17	5	0.07
EBDM12	0.32	12	22	9	27	18.5	17	5	0.07
EBDM16	0.63	16	29	11	34	23.5	23	6	0.14
EBDM20	1.25	20	40	15	47	33	32	9	0.4
EBDM24	2	24	51	19	60	41	40	12	0.8
EBDM30	3.2	30	64	24	76	51	51	14	1.72