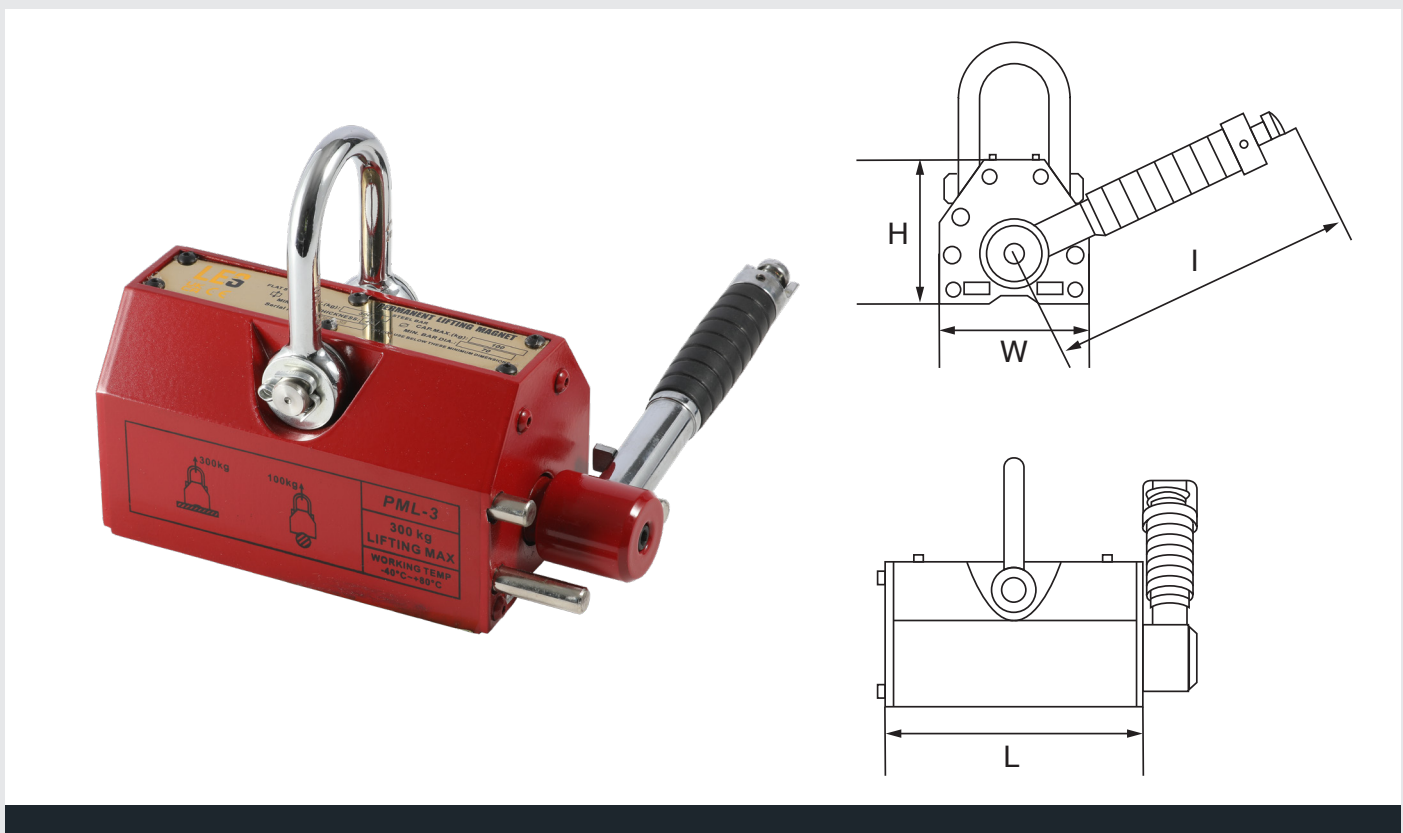


# LES Permanent Magnetic Lifter

## PML Series



<b>Finish</b>	Red painted.
<b>Standard</b>	BS EN 13155.
<b>Temp. Range.</b>	-40°C up to +80°C.
<b>Markings</b>	<b>LES</b> , <b>CE</b> , <b>UK</b> , capacity, plate thickness, bar dia and serial number.
<b>Notes</b>	Designed for the lifting & handling of magnetic material. Requires no extra power, strong magnetic force.
<b>Certification</b>	2.1 DoC



Product Code	Plate Capacity kgs	Cylindrical Capacity kgs	Tear-off Force kgs	H mm	I mm	L mm	W mm	Weight kgs
LESPML100	100	30	350	70	142	92	64	3
LESPML300	300	100	1,050	96	176	165	88	10
LESPML600	600	200	2,100	120	219	236	118	24
LESPML1000	1,000	300	3,500	168	266	264	168	50
LESPML2000	2,000	600	7,000	217	462	378	230	125
LESPML3000	3,000	1,000	10,500	265	567	453	290	220
LESPML5000	5,000	1,500	17,500	265	707	647	290	355
LESPML6000	6,000	2,000	19,200	265	707	713	290	398